

# ENDURA® 32" x 24" MOBILE WORKSTATIONS

lifetime Warranty



Surge Suppressing Electrical Assembly Has 3-Outlets



360° Swivel Cord Wrap Attaches To The Leg Of Your Choice

400 Lb. Weight Capacity

Upper Shelf - 2 3/4" D Tub

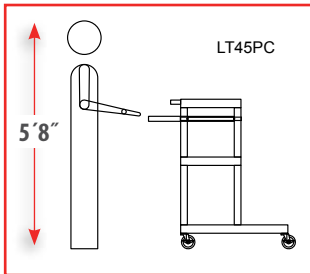


Flat Upper Platform



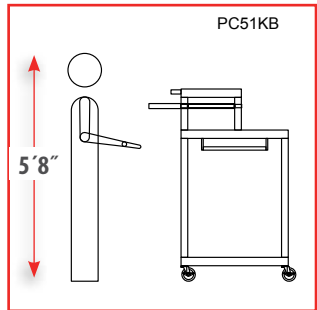
**OHS42** 32"W x 24"D x 37 1/4"H 44 lbs.  
Shelf Clearance: 6 1/4" between small upper shelf & main worksurface, 17 1/2" between main worksurface and bottom shelf.

**OHT42** 32"W x 24"D x 37 1/4"H 43 lbs.  
Shelf Clearance: 7 3/4" between small upper shelf & main worksurface, 17 1/2" between main worksurface and bottom shelf.



Pull-out Shelf: 15 7/8" x 19 7/16"

**Order Any LP Or LE Series Cart By \*1 PM & It Will Ship To You That Day**  
\*(CST, Monday through Friday) Quantity Restrictions Apply, Please Call For Details



Pullout Shelf: 11 3/4" x 18 3/4"



**LT45PC** 32"W x 24"D x 44 1/4"H 62 lbs.  
Shelf Clearance: 14 3/4" between small upper shelf & middle shelf, 17 1/2" between middle and bottom shelf.



**LT45P** 32"W x 24"D x 44 1/4"H 40 lbs.  
Shelf Clearance: 14 3/4" between small upper shelf & main worksurface, 17 1/2" between main worksurface and bottom shelf.

Pullout Shelf: 16 1/4" x 19 5/8"



**PC51KB** 32"W x 24"D x 57 1/4"H 59 Lbs.  
Shelf Clearance: 9 3/4" between small upper shelf & main worksurface, 35 1/2" between main worksurface and bottom shelf.