

# Instruction Sheet LCT29 Computer Workstation



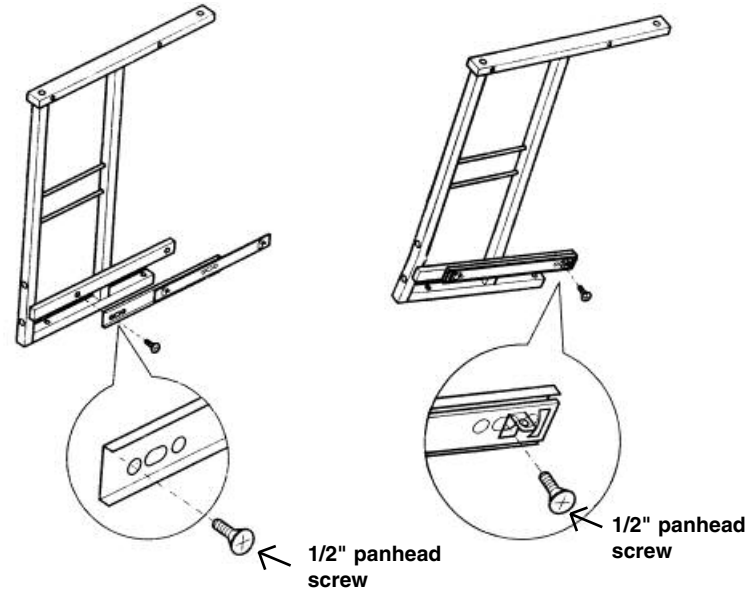
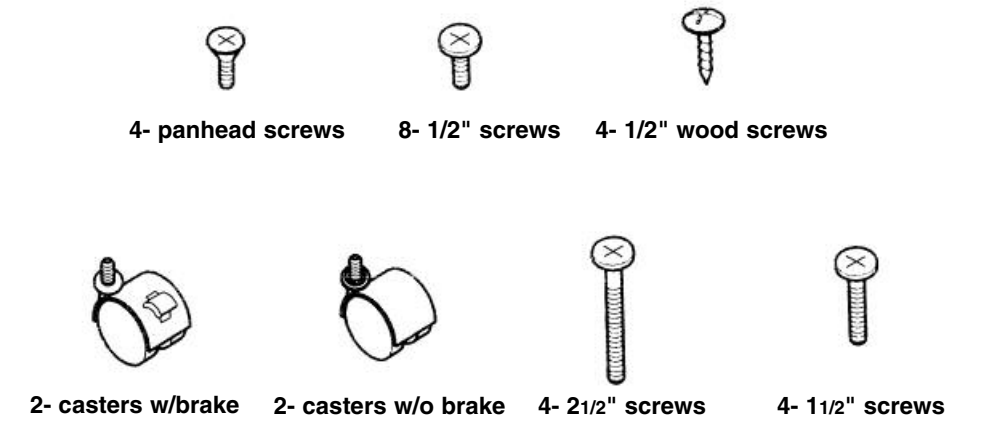
Customer Service Dept  
2245 Delany Rd  
Waukegan, IL 60087

Ph: 847/244-1800 • 800/323-4656  
Fax: 847/244-1818 • 800/327-1698

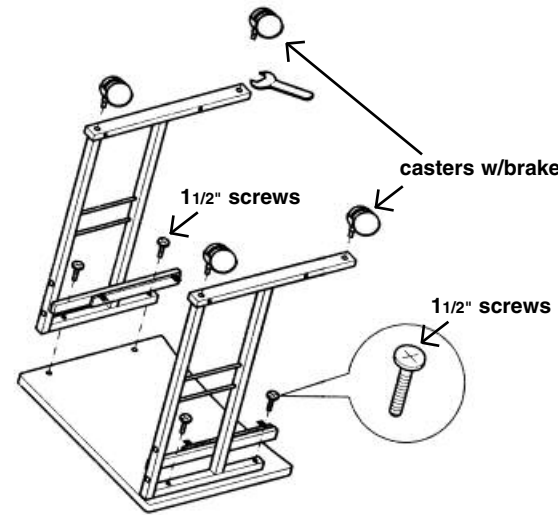


## PARTS LIST

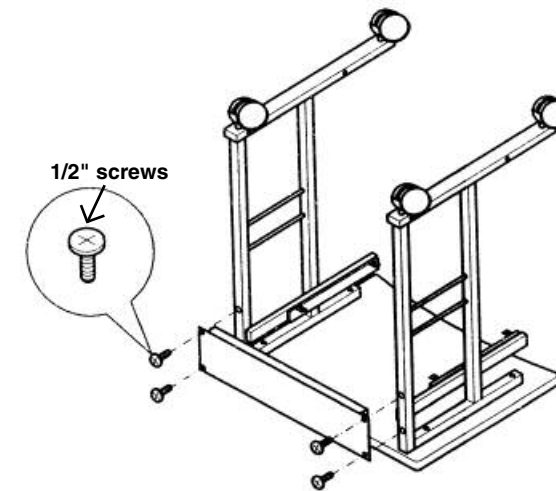
- |                    |                    |
|--------------------|--------------------|
| 2 - Side frames    | 1 - Bottom shelf   |
| 1 - Set of runners | 1 - Keyboard shelf |
| 1 - Worksurface    | 1 - Mouse shelf    |
| 1 - Set casters    | 1 - Hardware pack  |
| 1 - Support brace  |                    |



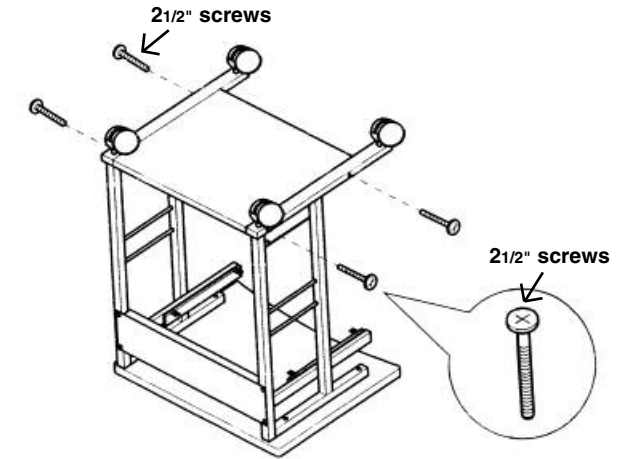
**Step 1**  
Attach runners as shown in diagrams using 4-1/2" panhead screws.



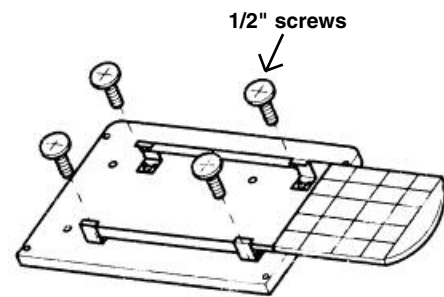
**Step 2**  
Turn work surface over so the threaded holes are exposed. Align the side frame holes to the holes on the work surface and attach using 4-11/2" screws. Then attach casters placing the casters with brake to the front part of the side frames.



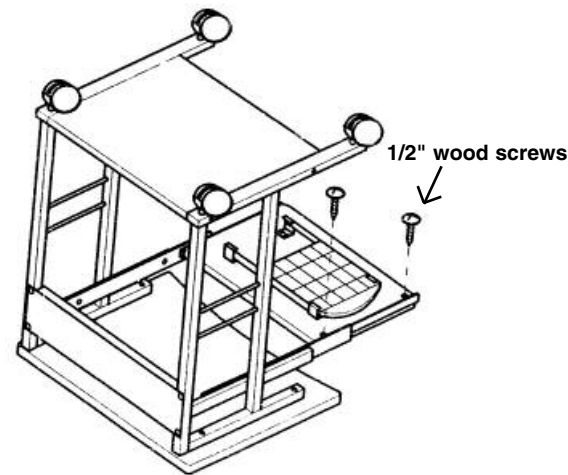
**Step 3**  
Attach back support with 4-1/2" screws.



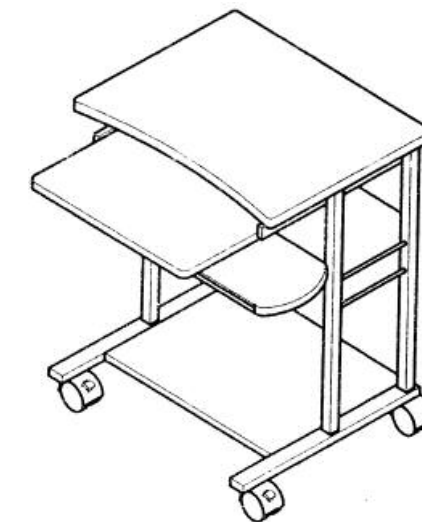
**Step 4**  
Place bottom shelf between the bottom of the side frames and attach using the 4-2 1/2" screws.



**Step 5**  
Turn keyboard over and attach the mouse shelf with 4-1/2" screws. (NOTE: Mouse shelf can pull-out on left or right side.)



**Step 6**  
Align the four predrilled holes on the bottom of the keyboard corners and attach with the 4-1/2" wood screws.



**Step 7**  
Turn table onto casters and it's now ready for use.