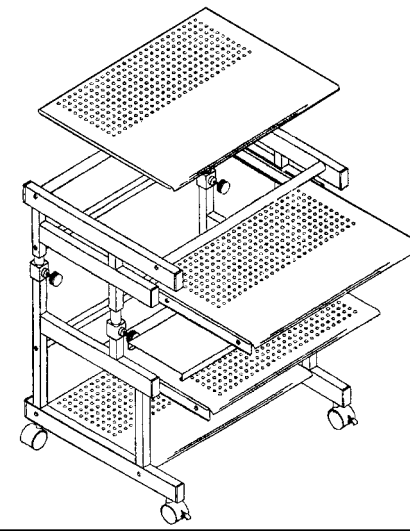


Instruction Sheet Adjustable Height Steel Computer Workstation Model LCT5A



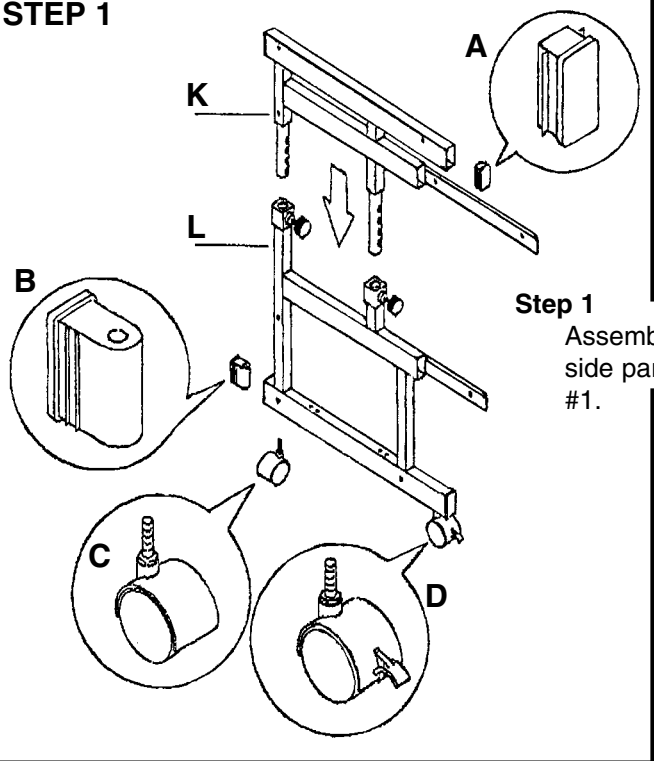
Customer Service Dept.
2245 Delany Rd.
Waukegan, IL 60087
Ph: 847/244-1800 • 800/323-4656
Fax: 847-244-1818 • 800/327-1698



Instructions for Assembly

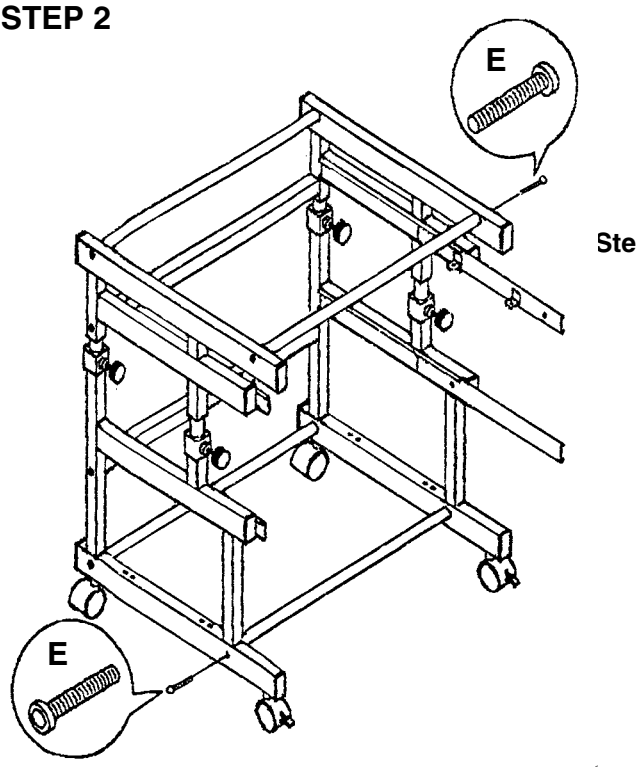
We suggest you unpack all components from the container before assembling the table. Separate the parts using the parts list on back side as a guide. Report any shortages immediately.

STEP 1



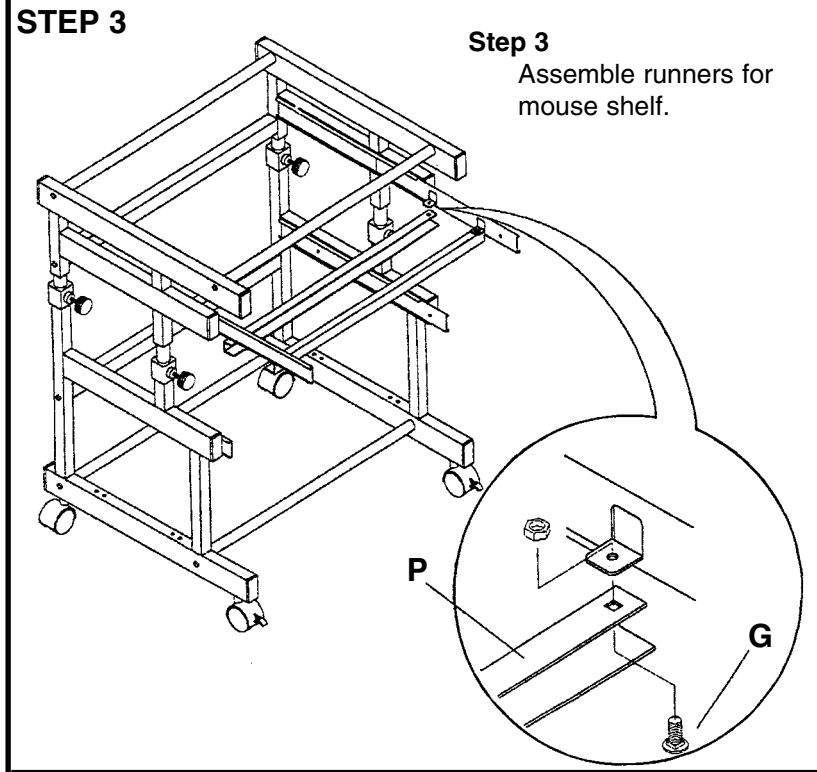
Step 1
Assemble left and right side panels per diagram #1.

STEP 2



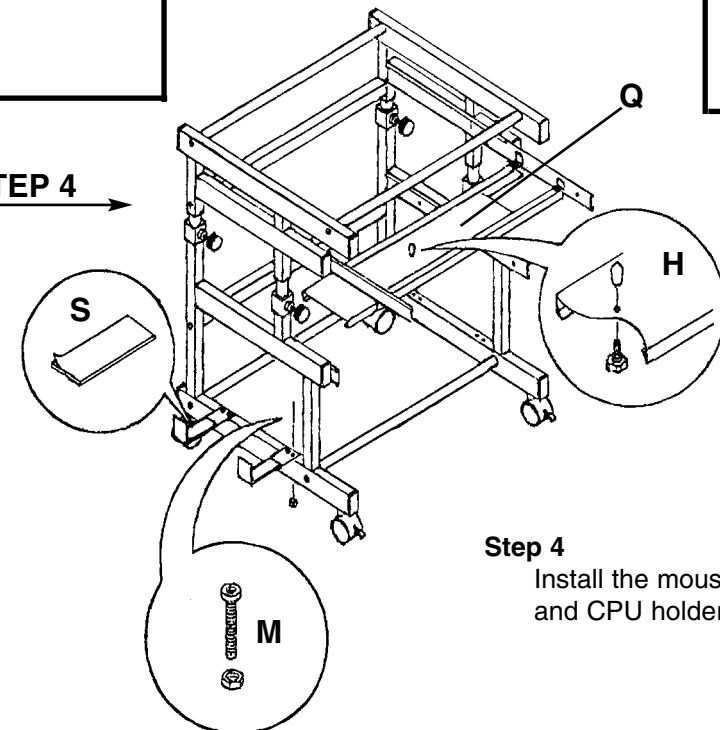
Step 2
Connect the frames as shown in diagram #2.

STEP 3



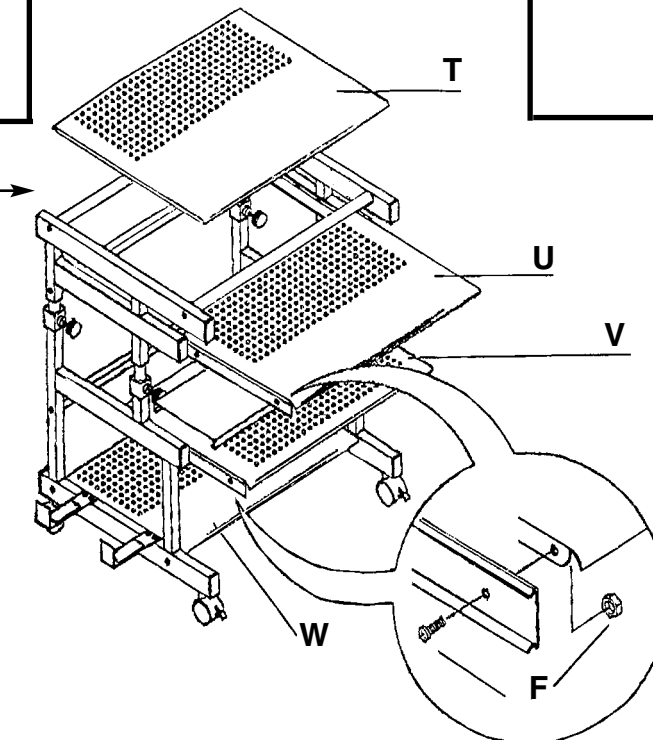
Step 3
Assemble runners for mouse shelf.

STEP 4



Step 4
Install the mouse shelf and CPU holders.



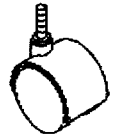

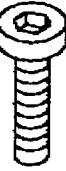


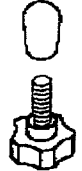


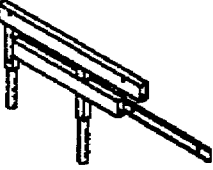
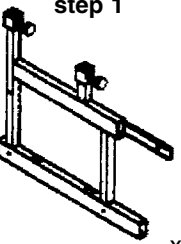

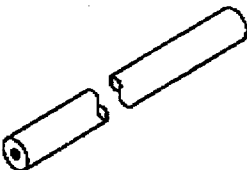
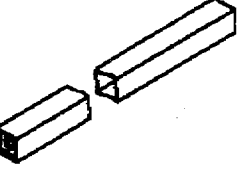
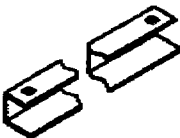
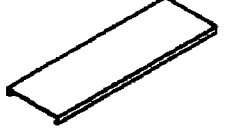
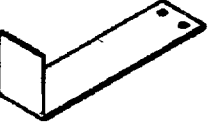

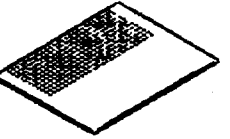
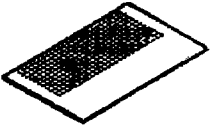
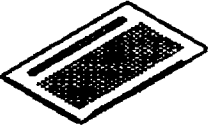
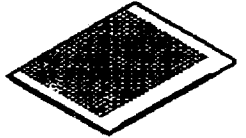
STEP 5



Step 5
Install top and bottom fixed shelves, keyboard shelf and printer shelf.

Tighten all fasteners. Adjust table to desired height.

PARTS LIST

A - step 1  x8	B - step 1  x4	C - step 1  x2	D - step 1  x2	E - step 2  x12	F - step 5  x8
G - step 3  x4	H - step 4  x1	I - Tool supplied  x1	J - Tool supplied  x1	K - step 1  x2	L - step 1  x2
M - step 4  x4	N - step 2  x4	O - step 2  x2	P - step 3  x2	Q - step 4  x1	R - step 4  x2
S - step 4  x2	T - step 5  x1	U - step 5  x1	V - step 5  x1	W - step 5  x1	