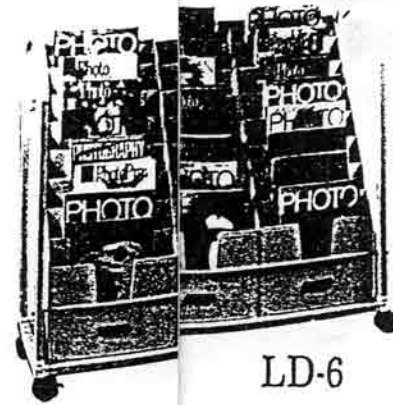


Instruction Sheet - DISPLAY RACKS

Model LD6

Congratulations on having chosen an excellent Luxor product.

Your purchase is backed by Luxor's satisfaction guarantee. Luxor is a service oriented company. As a service to you, we are enclosing a "satisfaction guarantee" request card. Should a problem arise needing our assistance simply fill out the card and fax it to us toll-free or mail postage paid to Luxor. Be sure to include your telephone number. Upon receipt of your service request, we will give it immediate attention to be sure that you will be completely satisfied with your purchase. Thank you for your confidence.



LD-6

Parts List

- 24 - Pockets
- 1 - Face Plate
- 2 - Casters
- 2 - Caster w/Brake
- 1 - Slotted Tube
- 1 - Pocket Support
- 1 - R.H. Caster Tube
- 1 - L.H. Caster Tube
- 2 - Plastic Tops
- 1 - Back Brace
- 1 - Threaded Bar

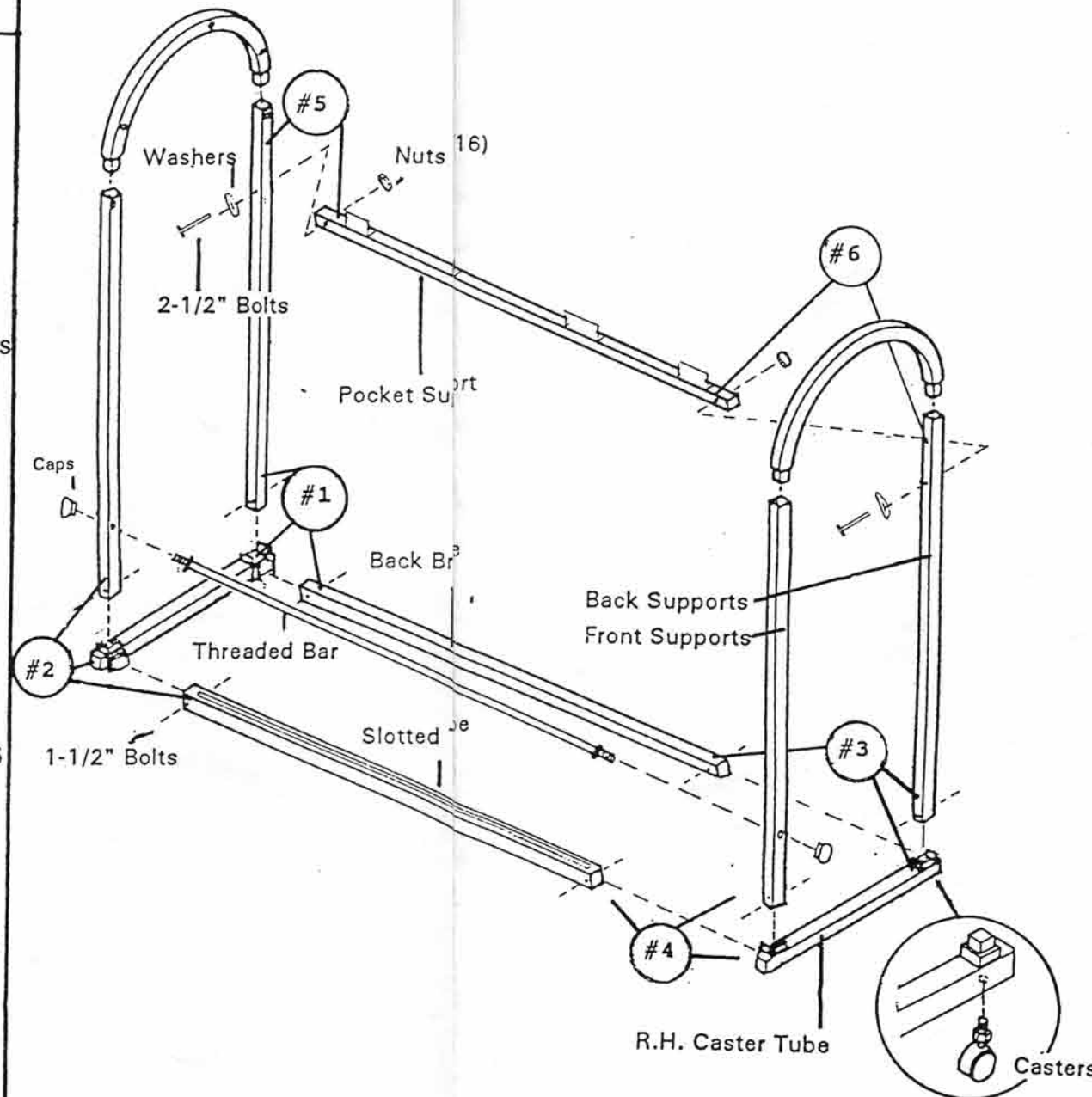
- 2 - Caps
- 8 - 1-1/2 Bolts
- 2 - 2-1/2 Bolts
- 2 - Washers
- 10 - Nuts
- 2 - Back Supports
- 2 - Front Supports

Tools Required:
5/16 Nut Drive
9/16 Wrench

Customer Service Department
LUXOR
2245 Delany Road
Waukegan, IL 60087

ASSEMBLY

1. Separate and identify all parts. Numbers are stamped into ends of tubes. Assembly is done by matching numbers.
2. Take left caster tube #1 and #2 and connect front and back supports #1 and #2 to it using 1-1/2" bolts and nuts. Tap plastic round top into ends of front and back supports.
3. Repeat step #2 for right side.
4. Connect the two ends together by attaching threaded bar with caps first. Then proceed with slotted tube #2 and #4, back brace #1 and #3. Secure using 1-1/2" bolts and nuts.
5. Attach pocket support tube #5 and #6 using 2-1/2" bolts, washers and nuts. Note: Position of metal pocket support brackets.
6. Assemble pockets using instructions at the far right of this sheet.
7. Attach casters with brake in front and without brake in back. A 9/16 wrench may be needed to fully seat casters.
8. Set pockets inside rack. Hook ridge on pocket over pocket support bracket. Front of pockets sit in slot on slotted tube.
9. Always move display racks slowly. Put in desired position and lock into place using casters with brake. Only adults should move display racks. Assembly is complete.



Display Rack Pocket Assembly

Carefully attach pockets

- * Be sure parts are fully joined together- parts "snap" together

