

# Instruction Sheet - Multi-Height Low Priced Plastic Tables

## Endura Models LP-DUO and LPL-DUO



Customer Service Dept  
2245 Delany Rd  
Waukegan, IL 60087  
Ph: 847/244-1800 • 800/323-4656  
Fax: 847/244-1818 • 800/327-1698



26" High Model

34" High Model

42" High Model

LP-DUO

### PARTS LIST

#### Model LP-DUO

- 1 - Shelf w/ casters sockets
- 1 - Shelf w/ handle
- 1 - Shelf w/eight leg posts
- 4 - 6 1/4" tubular legs
- 4 - 14 1/4" tubular legs
- 4 - 17 3/4" tubular legs
- 4 - Casters (2 w/brake)
- 1 - Plug housing cover
- 2 - Sheet metal screws

#### Tools Required:

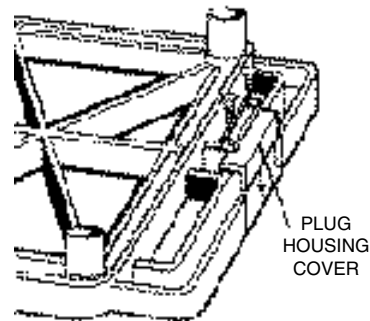
- 1 - Rubber Mallet
- 1 - Slotted Screwdriver

#### Model LPL-DUO

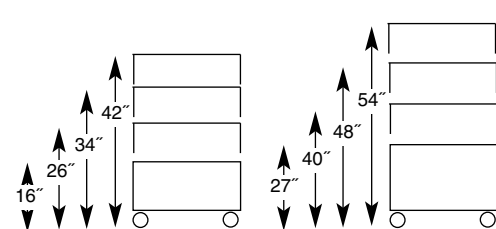
- 1 - Shelf w/ casters sockets
- 1 - Shelf w/ handle
- 1 - Shelf w/eight leg posts
- 4 - 11" tubular legs
- 4 - 17 1/2" tubular legs
- 4 - 19" tubular legs
- 4 - 25" tubular legs
- 4 - Casters (2 w/brake)
- 1 - Plug housing cover
- 2 - Sheet metal screws

### IMPORTANT:

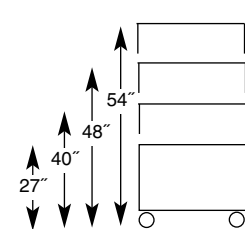
If your LP table **does not** have the Optional Electrical Assembly start by closing the electric plug housing in the handle of the top shelf as illustrated. If your LP table **has** the Optional Electric Assembly, see assembly instructions on reverse side. Start by assembling electric.



#### LP-DUO

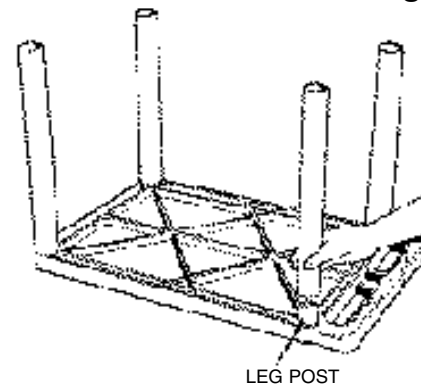


#### LPL-DUO



LP-DUO and LPL-DUO multi-height LP tables enable you to assemble four different heights in one table. LP-DUO 16" and 26" table and LPL-DUO 27" and 40" table have two shelves. LP-DUO 34" and 42" table and LPL-DUO 48" and 54" table have three shelves.

### LP-DUO 16" & 26" Height LPL-DUO 27" and 40" Height

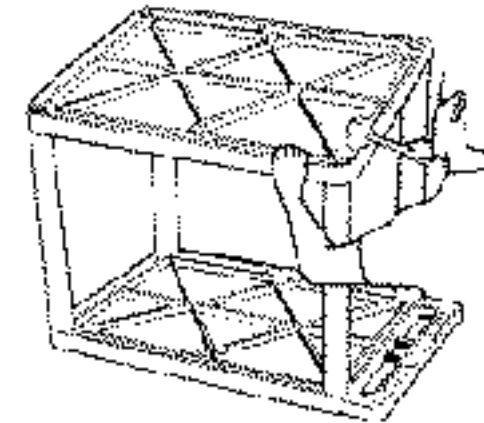


LEG POST

- 16"H Table use 6 1/4" legs.
- 26"H Table use 17 3/4" legs.
- 27"H Table use 17 1/2" legs.
- 40"H Table use 25" legs.

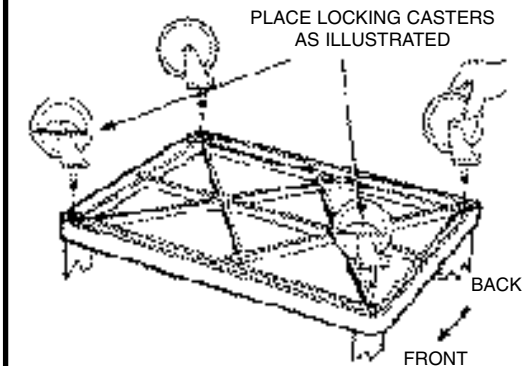
**1**

Lay top shelf (with handle) ribbed side up on a smooth surface. Push all 4 legs onto leg posts.



**2**

Position bottom shelf, ribbed side up, over the 4 legs and insert leg posts into legs. Using a rubber mallet, firmly hammer bottom shelf into legs until all 4 legs are seated (flush) against the surfaces of both shelves.



PLACE LOCKING CASTERS AS ILLUSTRATED

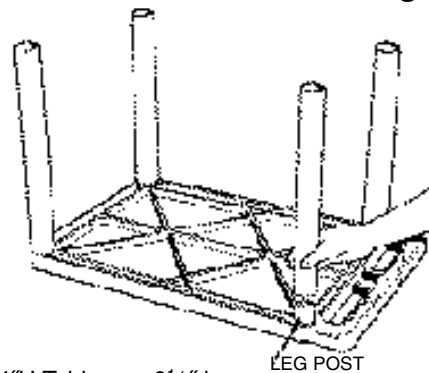
BACK

FRONT

**3**

Push the four casters firmly into the holes in each corner of the bottom shelf. Important: Casters must be fully seated. Tap firmly with rubber mallet to properly seat casters. Turn your LP table right side up.

### LP-DUO 34" & 42" Height LPL-DUO 48" and 54" Height

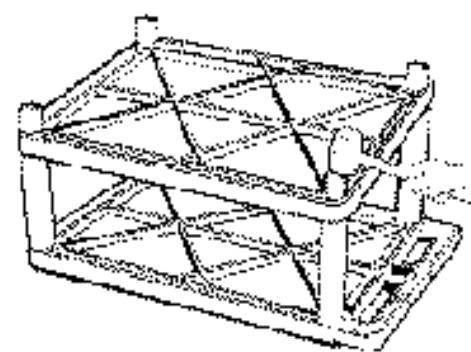


LEG POST

- 34"H Table use 6 1/4" legs.
- 42"H Table use 14 1/4" legs.
- 48"H Table use 11" legs.
- 54"H Table use 25" legs.

**1**

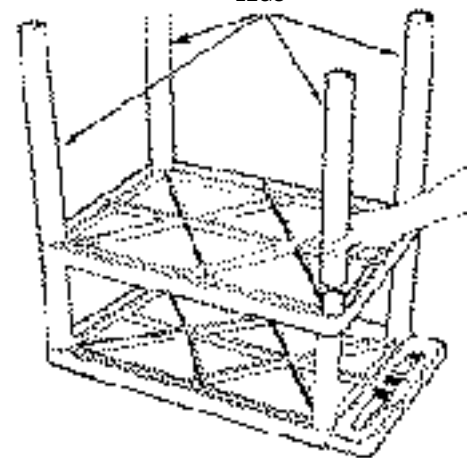
Lay top shelf (with handle) ribbed side up on a smooth surface. Push all 4 legs onto leg posts.



**2**

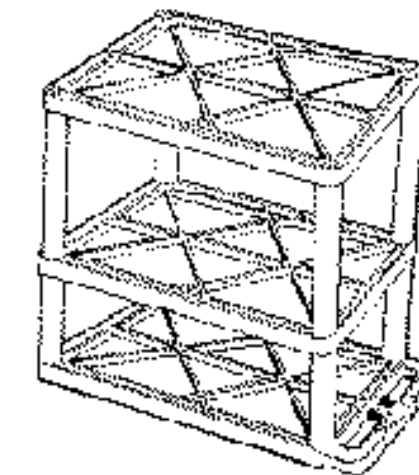
Position center shelf (with 8 leg posts) ribbed side up, over the 4 legs and insert leg posts into legs. Using a rubber mallet, firmly hammer center shelf into legs until all 4 legs are seated (flush) against the surfaces of both shelves.

LONG TUBULAR LEGS



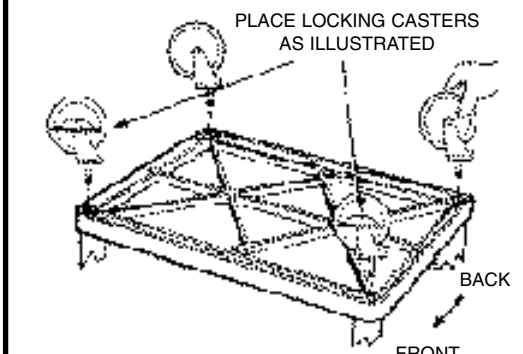
**3**

Push remaining 4 legs into leg posts of center shelf.



**4**

Position bottom shelf, ribbed side up, over the 4 remaining legs and insert leg posts into legs. Using a rubber mallet, firmly hammer bottom shelf into legs until all 4 legs are seated (flush) against the surfaces of both shelves.



PLACE LOCKING CASTERS AS ILLUSTRATED

BACK

FRONT

**5**

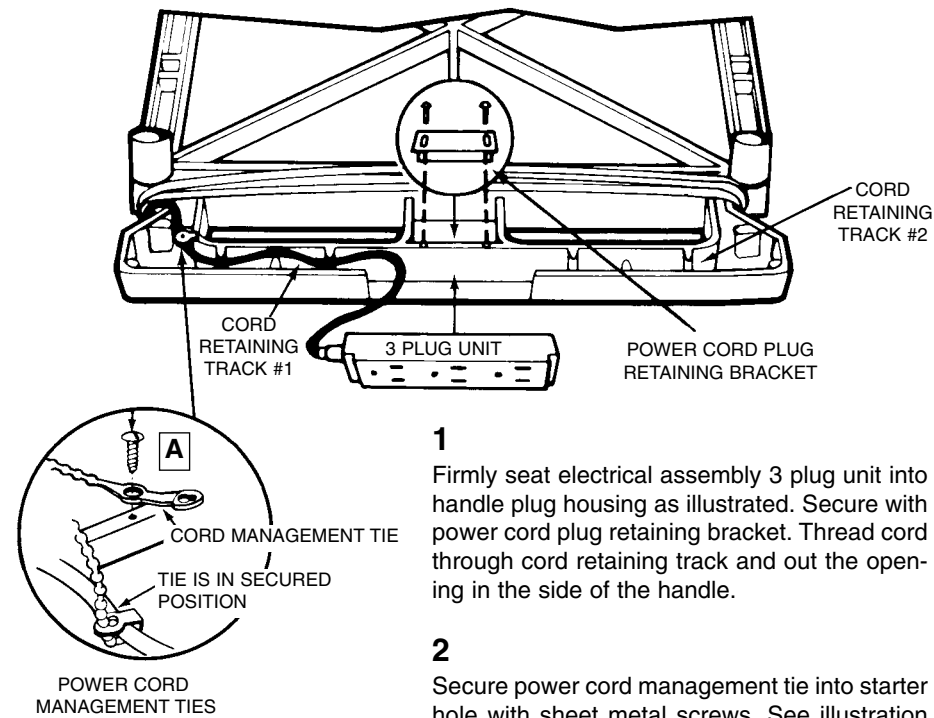
Push the four casters firmly into the holes in each corner of the bottom shelf. Important: Casters must be fully seated. Tap firmly with rubber mallet to properly seat casters. Turn your LP table right side up. It is now ready for use.

# Instructions For - Electrical Assembly Cable-Track™ Management System and Cord Wrap

Your LP mobile equipment table incorporates the Cable-Track™ Cord Management System. This exclusive feature manages electrical cords, keeping them safely out of the way. This system includes a 3-outlet, 15 foot surge suppressing electric assembly, UL and CSA listed, which is built into the safety handle. Please review these instructions carefully to maximize the added safety provided by Luxor's Cable-Track™ Cord Management System.

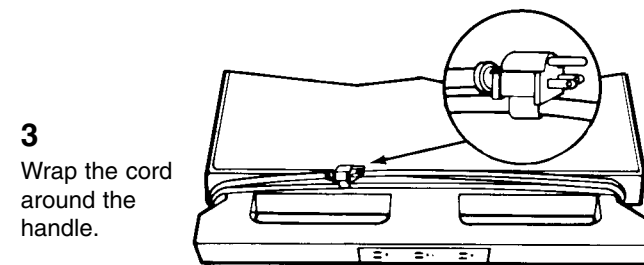
## PARTS LIST

- 1 - Electric power cord
- 1 - Power cord retaining bracket
- 1 - Cord tie
- 3 - Sheet metal screws



**1**  
Firmly seat electrical assembly 3 plug unit into handle plug housing as illustrated. Secure with power cord plug retaining bracket. Thread cord through cord retaining track and out the opening in the side of the handle.

**2**  
Secure power cord management tie into starter hole with sheet metal screws. See illustration A. Secure with power cord management tie by wrapping tie around cord and fastening. Cut off any unnecessary extra length of tie.



**3**  
Wrap the cord around the handle.

**4**  
For safety and neat appearance secure cord plug to cord by utilizing plug snap.