

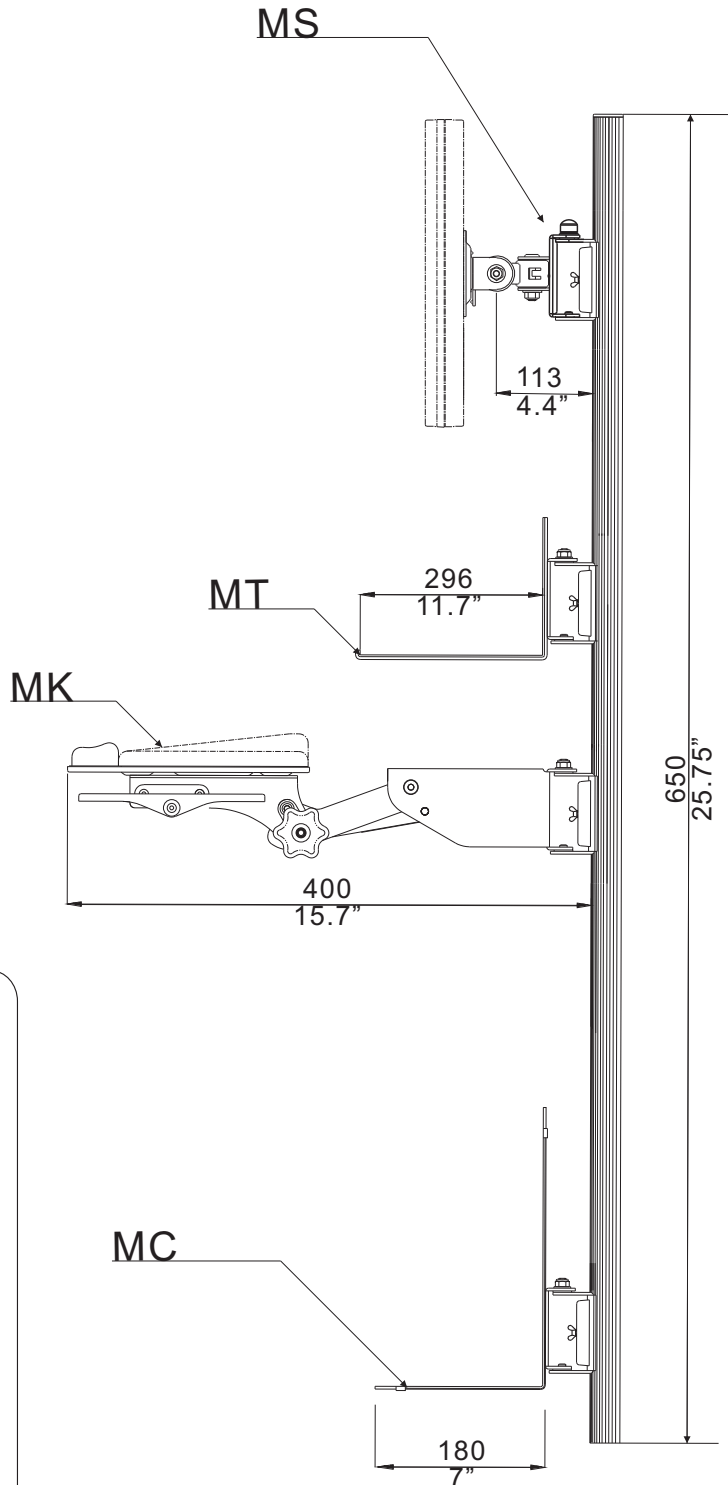
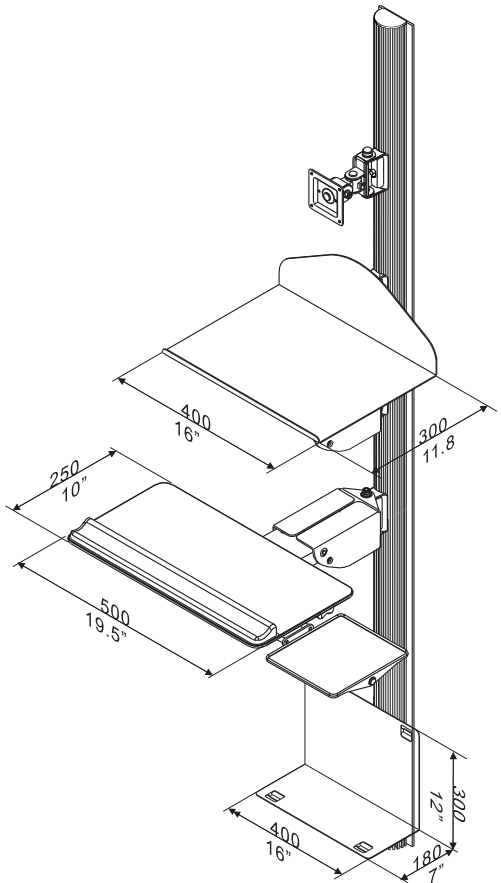
Instruction Sheet
Model LSC50WMT



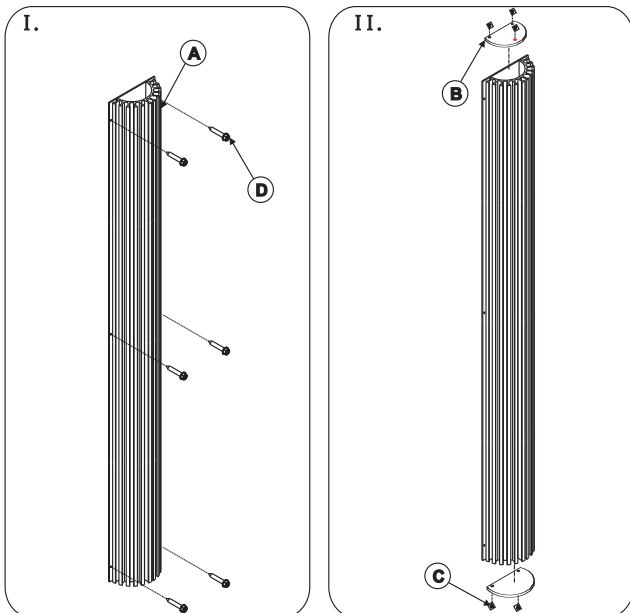
Customer Service Dept.
2245 Delany Rd.
Waukegan, IL 60087
PH:847/244-1800 • 800/323-4656
Fax:847/244-1818 • 800/327-1698

Parts List

ITEM	(A)	(B)	(C)	(D)
PARTS				
QTY	1	2	6	6



How to install "MD":



UNIT:mm/inch

Instruction Sheet
 Model LSC25WMT(part MT)



Customer Service Dept.
 2245 Delany Rd.
 Waukegan, IL 60087
 PH:847/244-1800 • 800/323-4656
 Fax:847/244-1818 • 800/327-1698

Parts List

ITEM	A	B	C	D	E	F	G
PARTS							
QTY	1	1	1	1	1	3	1

How to install "MT":

