

Structural Foam Plastic Cart

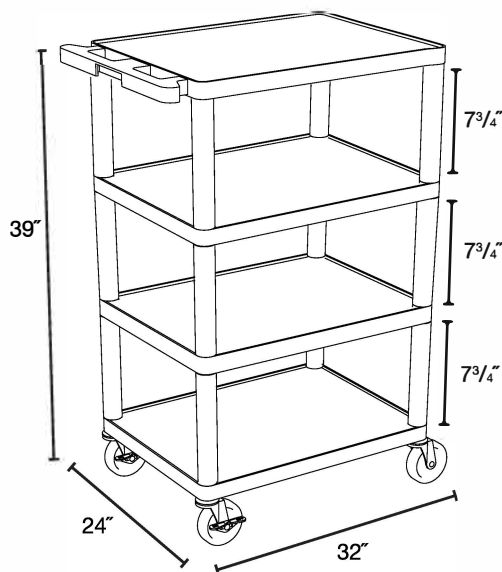


BC40
32"W x 24"D x 37³/₄"H

Black

Gray

- Measures 32"W x 24"D x 37³/₄"H (width includes handle) with a clearance between shelves of 7³/₄" for easy access
- Includes four 1³/₄" high flat shelves with .25" retaining lip to secure items from sliding off
- Ergonomic push handle molded into the top shelf for optimum comfort
- Four 4" Heavy-Duty non-marring casters, two with locking brake
- Molded plastic shelves and legs won't stain, scratch, dent or rust
- Maximum weight capacity of 300lbs (evenly distributed)



**MADE IN
USA**