

Plastic Heavy Duty Utility Cart

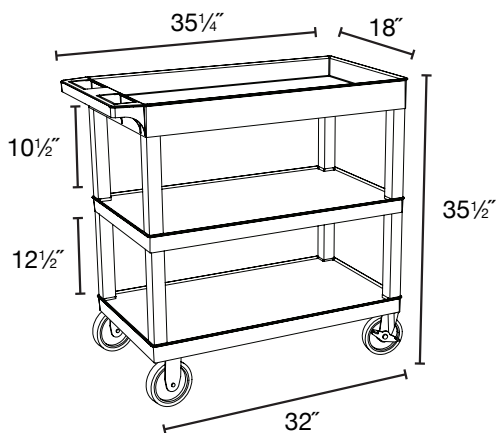


EC122HD
35 $\frac{1}{4}$ "W x 18"D x 35 $\frac{1}{2}$ "H

Black

Gray

- 33% More capacity than a standard 24"W x 18"D cart
- Measures 35 $\frac{1}{4}$ "W x 18"D x 35 $\frac{1}{2}$ "H (width includes handle) with a clearance between shelves of 10.5" and 12.5" for easy access
- Includes one 2.5" deep tub shelf and two 1.625" high flat shelves with .25" retaining lip to secure items from falling off
- Has an ergonomic push handle molded into the top shelf
- Four 5" heavy duty casters two with swivel locking brake, two stationary
- Molded plastic shelves and legs won't stain, scratch, dent or rust
- 500 Lb. weight capacity (evenly distributed)



**MADE IN
USA**