

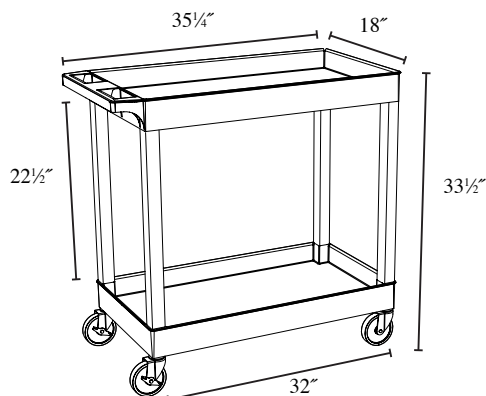
## Plastic Heavy Duty Utility Cart



**EC21HD**  
35¼"W x 18"D x 33½"H



- 33% More capacity than a standard 24"W x 18"D cart
- Measures 35¼"W x 18"D x 33½"H (width includes handle) with a clearance between shelves of 22.5" for easy access
- Includes one 2.5" deep tub shelf and one 1.625" high flat shelf with .25" retaining lip to secure items from sliding off
- Has an ergonomic push handle molded into the top shelf
- Four 5" heavy duty casters two with swivel locking brake, two stationary
- Molded plastic shelves and legs won't stain, scratch, dent or rust
- Maximum weight capacity of 500lbs (evenly distributed)



**MADE IN  
USA**