

## Heavy Duty A/V Cart



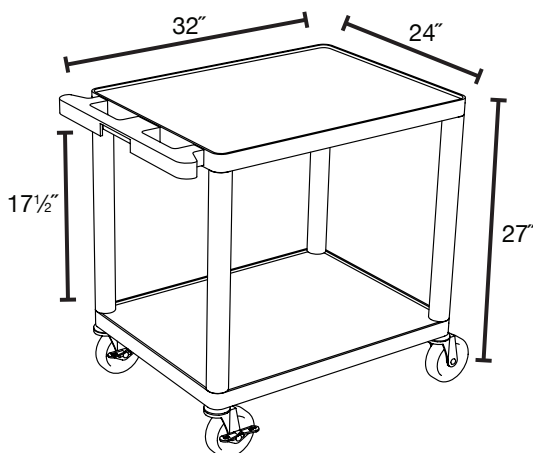
**LP27-B**  
32"W x 24"D x 27"H



**LP27C-B**  
32"W x 24"D x 27"H



**LP27CE-B**  
32"W x 24"D x 27"H



**LP27E-B**  
32"W x 24"D x 27"H

- 32"W x 24"D x 27"H
- .25" retaining lip borders flat shelves to ensure minimal sliding
- Optional locking cabinet made from 20-gauge steel with powder coat paint finish, full piano door hinges with a set of two keys
- Inner Cabinet dimensions measure 23<sup>1</sup>/<sub>4</sub>" W x 16<sup>3</sup>/<sub>4</sub>" D x 18"H
- Ergonomic push handle molded into the top shelf for optimum comfort
- Four 4" Heavy-Duty non-marring casters, two with locking brake, for mobility and stability
- Molded plastic shelves and legs won't stain, scratch, dent or rust
- Three-outlet surge suppressing 15" cord and cord management system to keep cart clean and organized
- Maximum weight capacity of 400lbs (evenly distributed)



**MADE IN  
USA**