

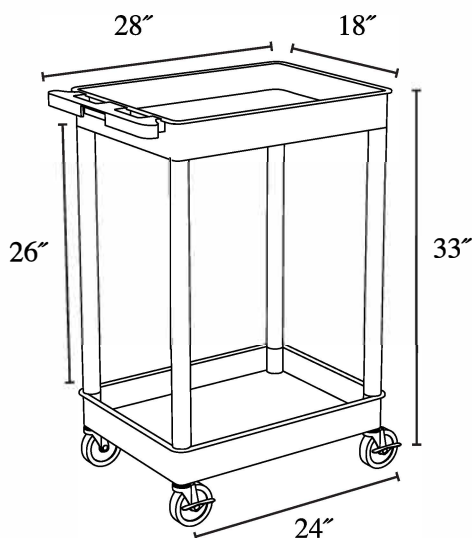
Flat shelf Utility Cart



STC22-B
24"W x 18"D x 33"H



- Multipurpose utility cart for use as a serving or storage cart
- Measures 24"W x 18"D x 33"H with a clearance between shelves of 26" for easy access
- Includes two flat shelves with .25" retaining lip to secure items from sliding off
- Ergonomic push handle molded into the top shelf
- Four 4" Heavy-Duty non-marring casters, two with locking brake
- Shelves and legs are constructed with an injection molded thermoplastic resin, which will not stain, scratch, dent or rust
- Maximum weight capacity of 300 lbs. (evenly distributed)



**MADE IN
USA**