

Adjustable Height Steel A/V Carts w/ Pullout Trays

Available in 5 Colors:



W42ACEKB **NEW**

24 - 42" H x 18" D x 24" W

Steel shelves have a 1/4" retaining lip, with cable access holes. No slip rubber mat for adjustable top shelf.

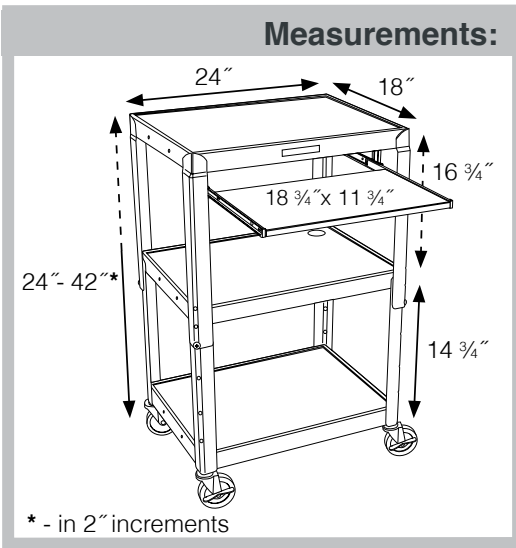
Locking security cabinet has full piano hinge door. Pull-out keyboard shelf which is ideal for laptop & keyboards.

A set of silent roll, 4" full swivel ball bearing casters, two with locking brakes.

Includes a 3-outlet UL listed electrical assembly with a 15 ft. cord.

Color Options:

Black	Gray	Red	Burgundy	Blue
	GY	R	BY	BU



W42AEKB **NEW**

24 - 42" H x 18" D x 24" W

Available in 11 Colors:



Color Options:	Black	Gray	Putty	Red	Burgundy	Blue	Yellow	Nickel	Green	Purple	Navy
		GY	OW	R	BY	BU	Y	CH	G	P	Z

To specify which unit color is ordered, replace ★ in this example product number with available color option of choice: **W42A★CEKB**