

**Adjustable Height Steel A/V Carts w/ Pullout Trays**

Available in 5 Colors:



**W42ACEKB** **NEW**

24 - 42" H x 18" D x 24" W

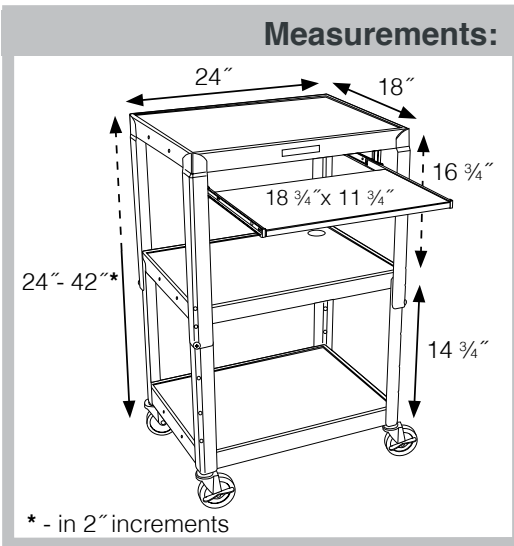
Steel shelves have a 1/4" retaining lip, with cable access holes. No slip rubber mat for adjustable top shelf.

Locking security cabinet has full piano hinge door. Pull-out keyboard shelf which is ideal for laptop & keyboards.

A set of silent roll, 4" full swivel ball bearing casters, two with locking brakes.

Includes a 3-outlet UL listed electrical assembly with a 15 ft. cord.

Color Options:



**W42AEKB** **NEW**

24 - 42" H x 18" D x 24" W

Available in 11 Colors:



To specify which unit color is ordered, replace ★ in this example product number with available color option of choice: **W42A★CEKB**