

**Adjustable Height Steel A/V Carts w/Pullout Tray & Drop Leaf Shelves**



**W42ACEKBDL**

24 - 42" H x 18" D x 24" W

**NEW**

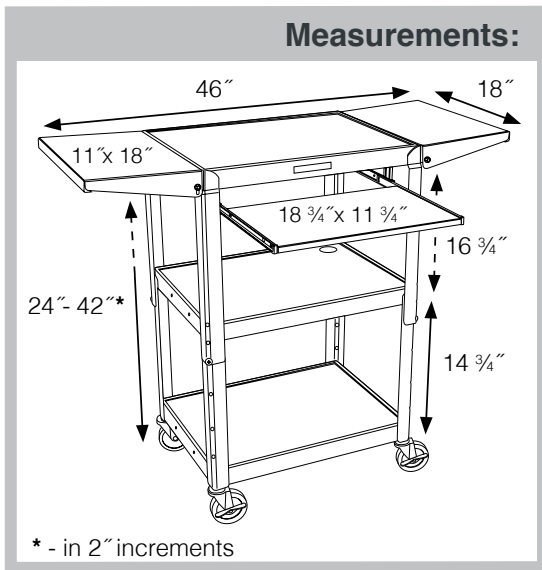
Steel shelves have a 1/4" retaining lip, with cable access holes. No slip rubber mat for adjustable top shelf.

Locking security cabinet has full piano hinge door. Pull-out keyboard shelf which is ideal for laptop & keyboards.

Drop leaf side shelves add an additional work area and lock easily into position.

A set of silent roll, 4" full swivel ball bearing casters, two with locking brakes.

Includes a 3-outlet UL listed electrical assembly with a 15 ft. cord.



**W42AEKBDL**

24 - 42" H x 18" D x 24" W

<b>Color Options:</b>	<b>Black</b>	<b>Gray</b> GY	<b>Red</b> R	<b>Burgundy</b> BY	<b>Blue</b> BU
-----------------------	--------------	-------------------	-----------------	-----------------------	-------------------

To specify which unit color is ordered, replace ★ in this example product number with available color option of choice: **W42A★CEKBDL**