

Presentation Stations

Equipment sold separately



WPS5CE

WPS5BCE

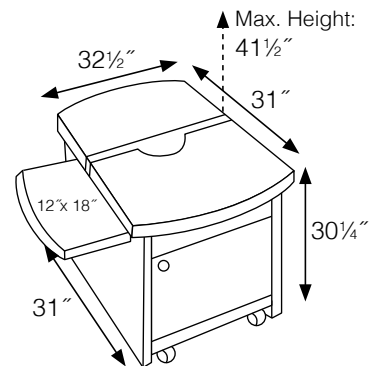
This presentation station features a split top surface that adjusts from 30 $\frac{1}{4}$ "-41 $\frac{1}{2}$ " in height.

Made of a durable easy clean laminate finish. All doors and platforms are lockable.

Includes a 3-outlet UL listed electrical assembly with a 15 ft. cord.

A set of six silent roll, 3" furniture casters, three with locking brakes.

Measurements:



30 $\frac{1}{4}$ - 41 $\frac{1}{2}$ " H x 32 $\frac{1}{2}$ " W x 31" D



Closed Unit passes through most doorways



Inner shelf is adjustable