

## Structural Foam Plastic Cart

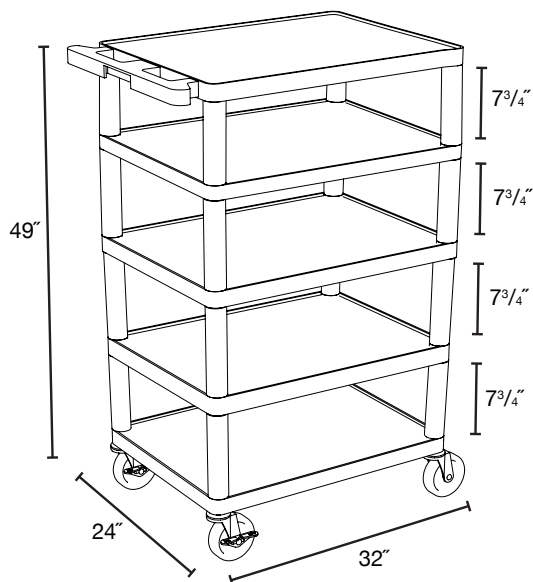


**BC55-B**  
32"W x 24"D x 48"H

Black

Gray

- Multipurpose lightweight utility cart ideal for use as serving or storage cart and more
- Measures 32"W x 24"D x 48"H with a clearance between shelves of 7<sup>3</sup>/<sub>4</sub>" for easy access
- Includes five 1.75" high flat shelves with .25" retaining lip to secure items from sliding off
- Four 4" Heavy-Duty non-marring casters, two with locking brake
- Molded plastic shelves and legs won't stain, scratch, dent or rust
- Maximum weight capacity of 300lbs (evenly distributed)



**MADE IN  
USA**