

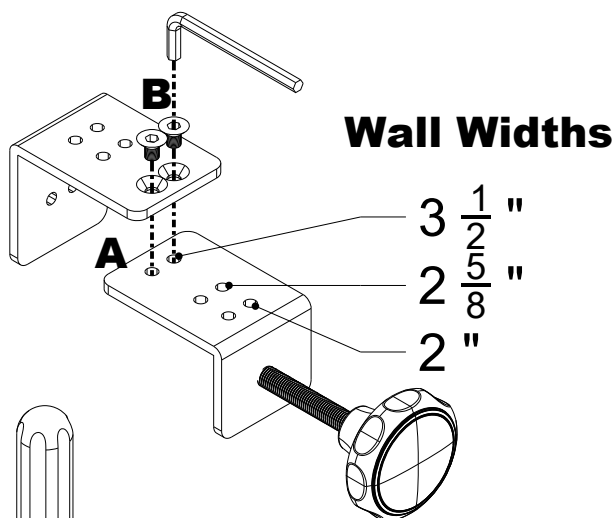
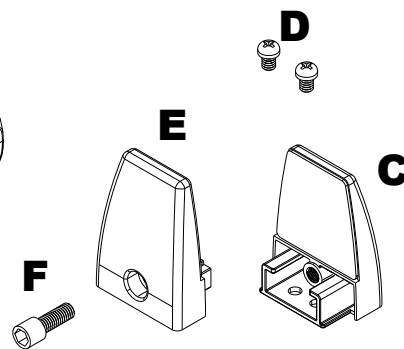
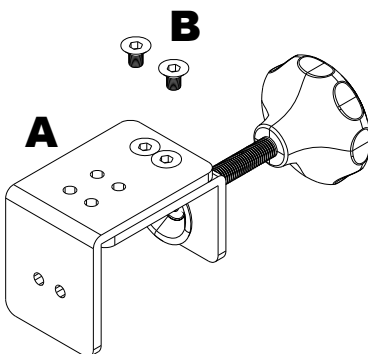
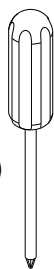
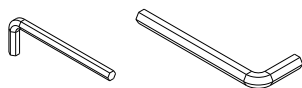
DIVWT-2CLAMPXL & DIVWT-3CLAMPXL

Assembly Guide

Part List:

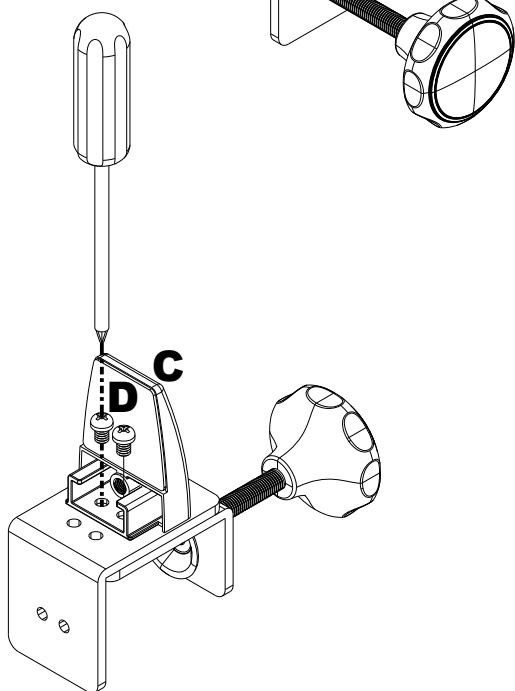
Tools Needed:

Allen Wrench (Included)
Screw Driver (Not Included)



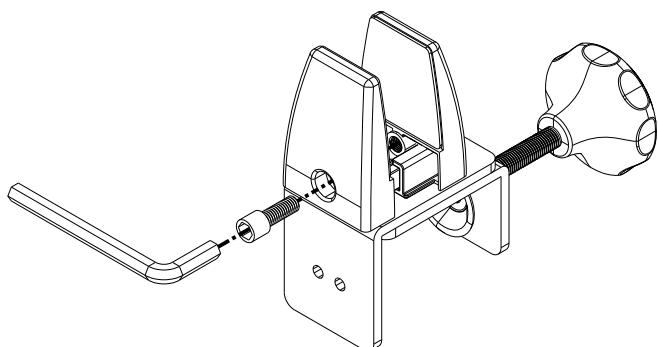
Step 1

If needed, adjust the width of the bracket **A** by removing and reinstalling the screws **B**. Refer to the hole guide for wall widths.



Step 2

Install acrylic clamp part **C** onto the bracket assembly using screws **D**.



Step 3

Install the acrylic clamp part **E** onto the bracket assembly using the screw **F**.