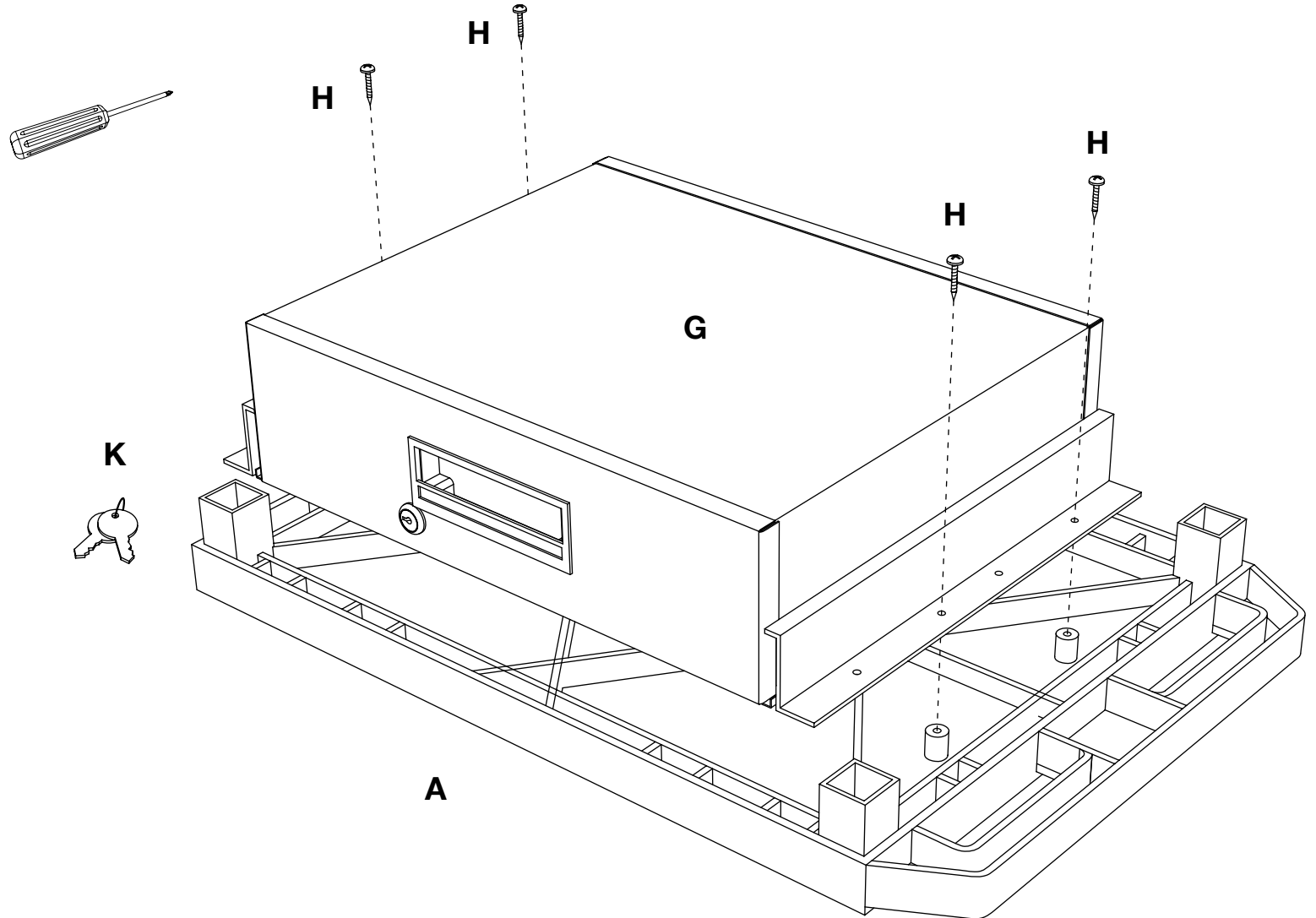


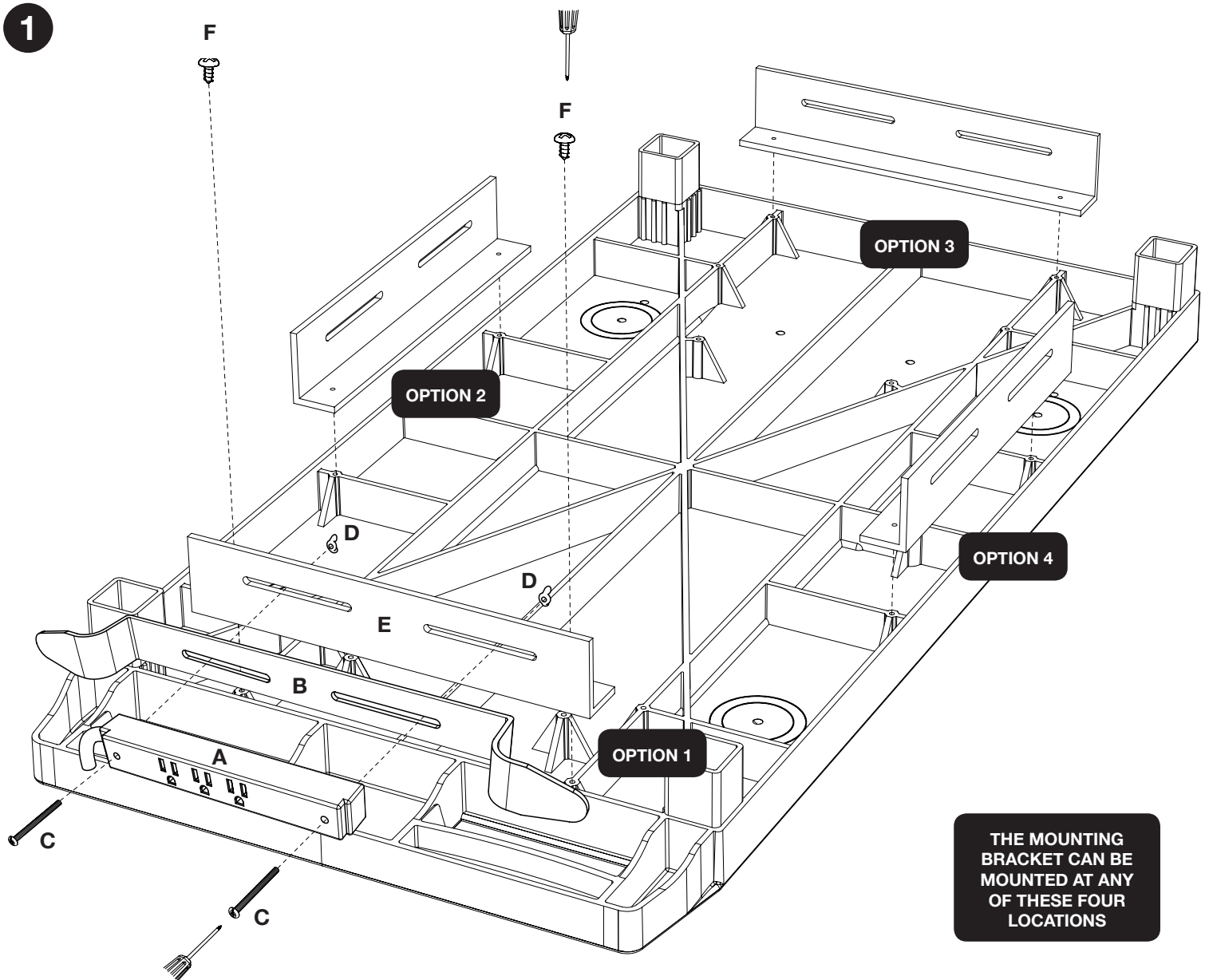
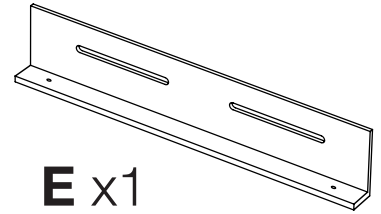
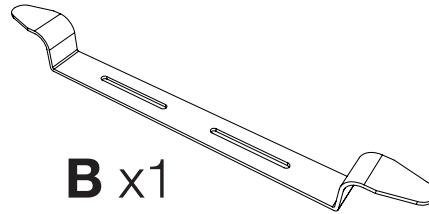
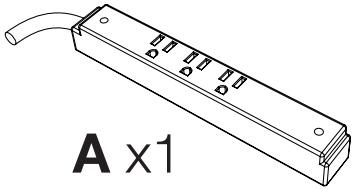
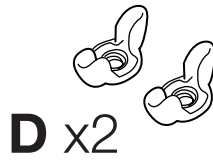
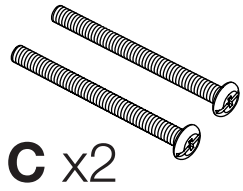
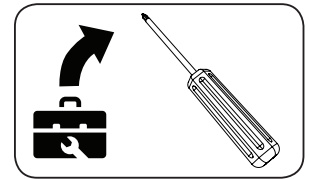
1



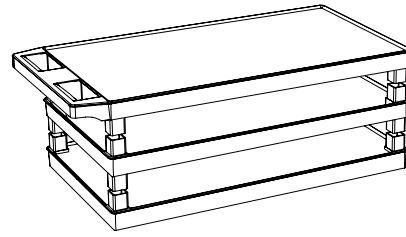
# Electric Assembly Instructions

03/31/15

Number of outlets  
may vary.



## Parts List

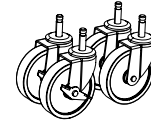


**A** x1

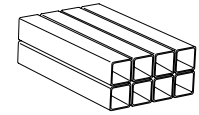
**C** x1

**B** x1

**D** x2



**E** x2

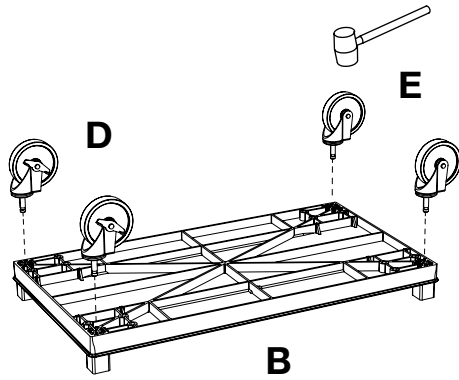


**F** x8

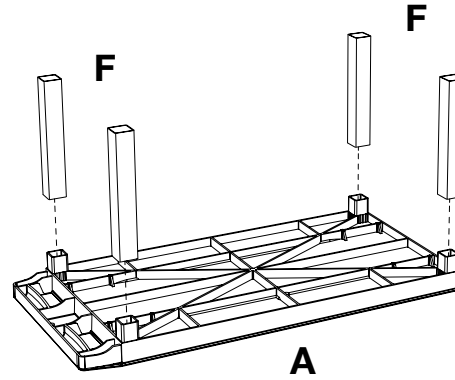
## Tools Required

- Rubber Mallet

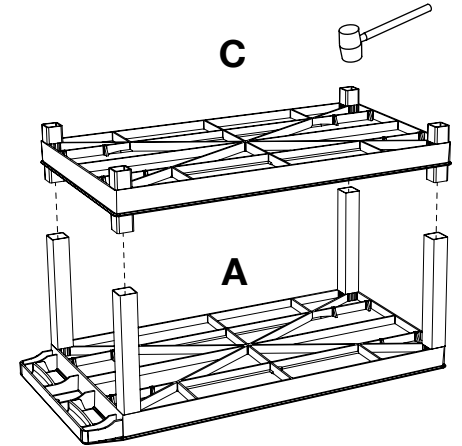
**1**



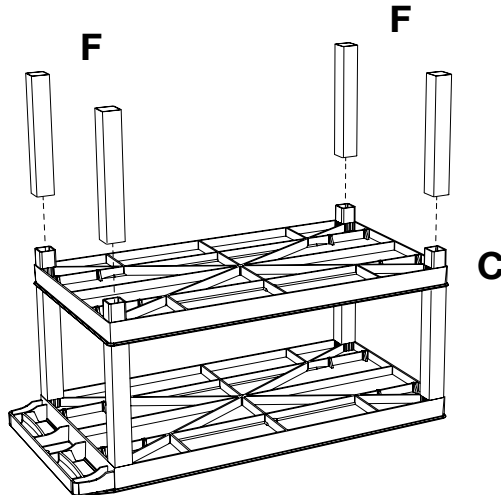
**2**



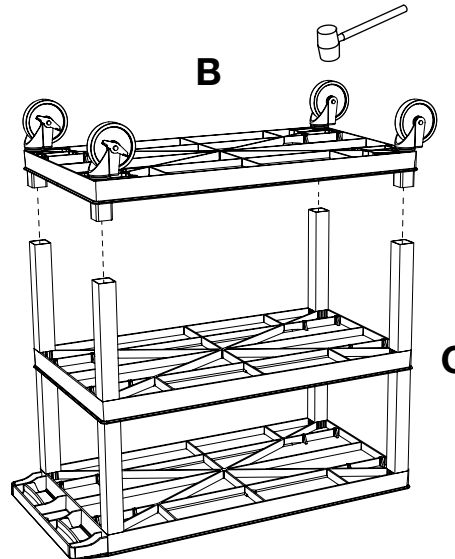
**3**



**4**



**5**



**6**

