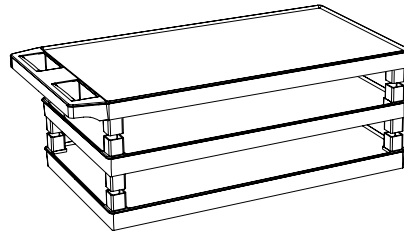


## Parts List

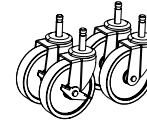


**A** x1  
**C** x1  
**B** x1

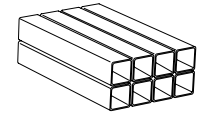
## Tools Required

- Rubber Mallet

**D** x2

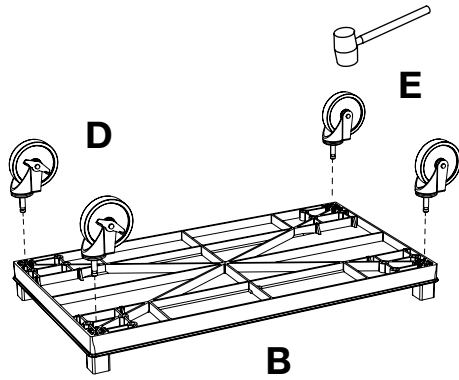


**E** x2

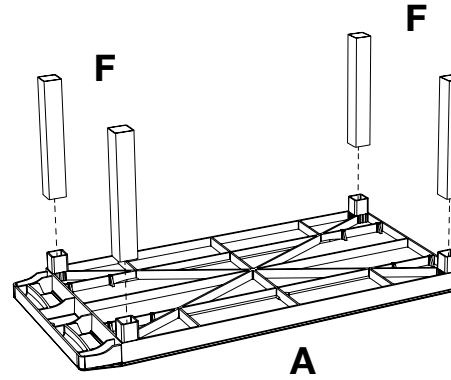


**F** x8

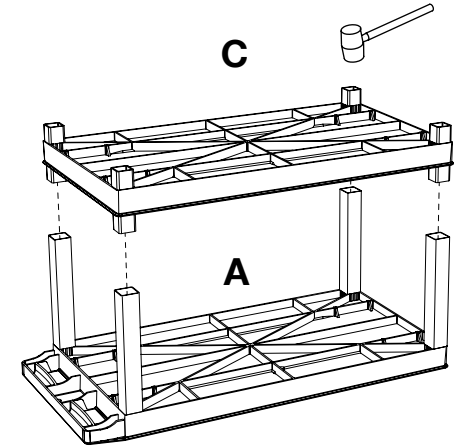
**1**



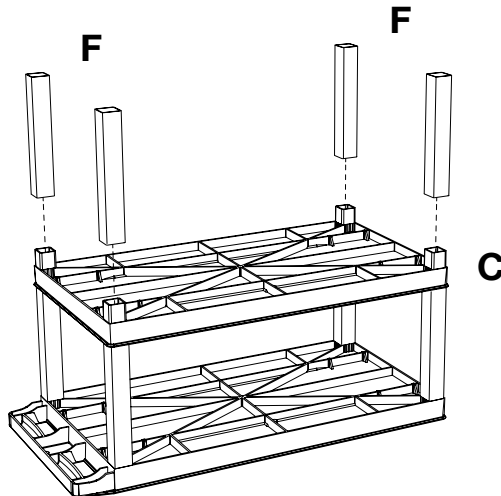
**2**



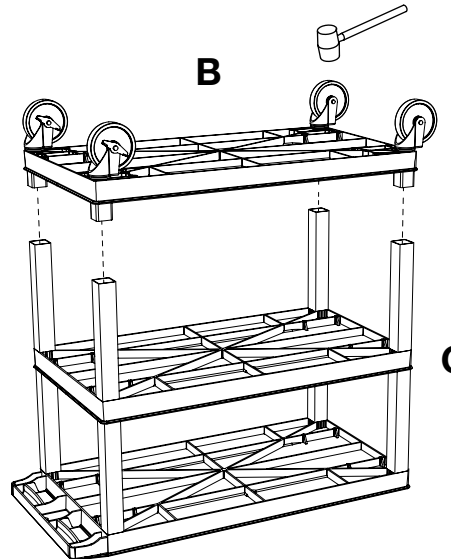
**3**



**4**



**5**



**6**



# Electric Assembly Instructions

03/31/15

Number of outlets  
may vary.

