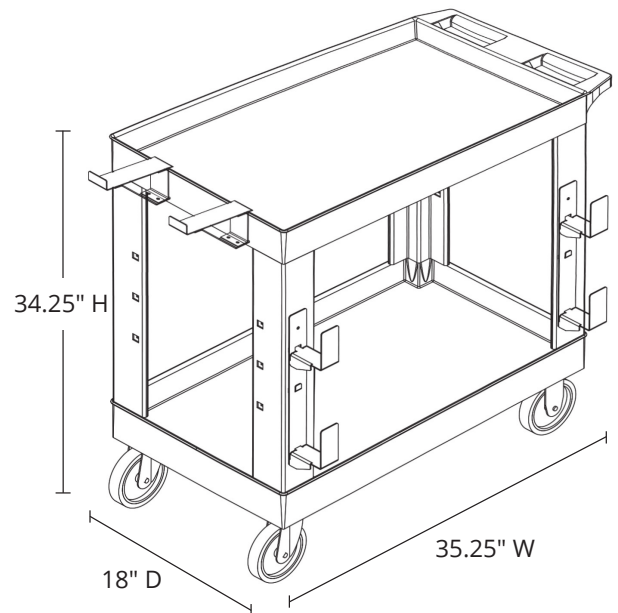


EC11-NDUST-B

32" X 18" HEAVY-DUTY INDUSTRIAL CART - TWO SHELVES WITH LADDER HOLDER, STORAGE HOOKS, AND SPOOL HOLDER

Product Specifications

Item Number	EC11-NDUST-B
Material	Shelves: High Density Polyethylene (HDPE) with steel reinforcements Legs: Polyvinyl Chloride (PVC)
Cart Dimensions	35.25" W x 18" D x 35.25" H
Weight	38 lbs.
Shelf Quantity	2
Shelf Dimensions	32" W x 18" D
Shelf Depth	2.5"
Distance Between Shelves	22.5"
Casters	5" heavy-duty; two casters include locking brakes
Additional Features	Ladder holder, movable dual storage hooks, movable spool holder set
Mount Holes	5/8" x 5/8" (six per side)
Weight Capacity	600 lbs.
Recommended Ladder Size	Up to a 4' step ladder
Made in USA	Yes
Shipping Method	Freight
Shipping Carton Dimensions	36" W x 18" D x 9" H
Shipping Weight	40 lbs.
Assembly Required	Yes
Cart Compliance	GSA compliant



To Order, Call Your
Sales Representative
or 800-323-4656