

www.luxorfurn.com  
www.hwilson.com

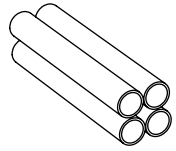
### Parts List

### Tools Required

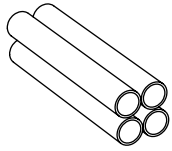
- Rubber Mallet

#### NOTICE:

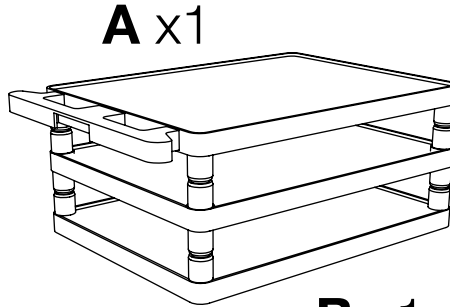
Leg lengths of leg **E** may be shorter than leg **F**



**E** x4



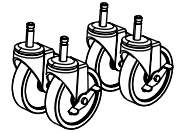
**F** x4



**A** x1

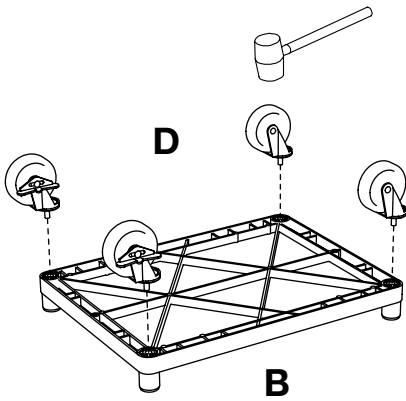
**B** x1

**C** x1



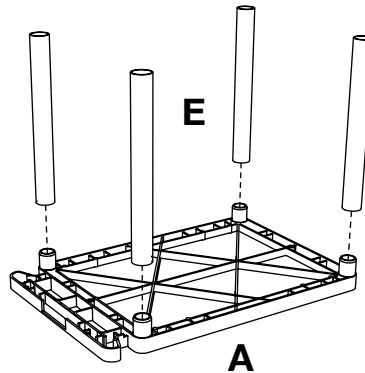
**D** x4

**1**

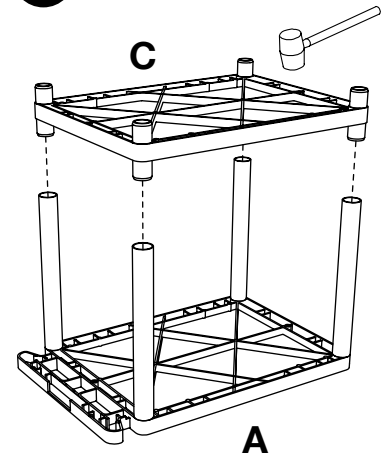


**2**

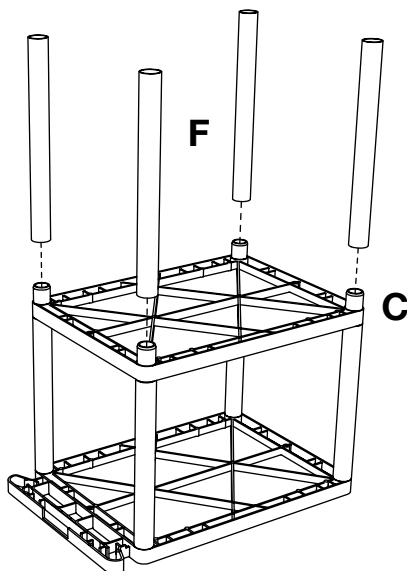
Install optional cabinet pack / pullout shelf / electrical assembly after step 1



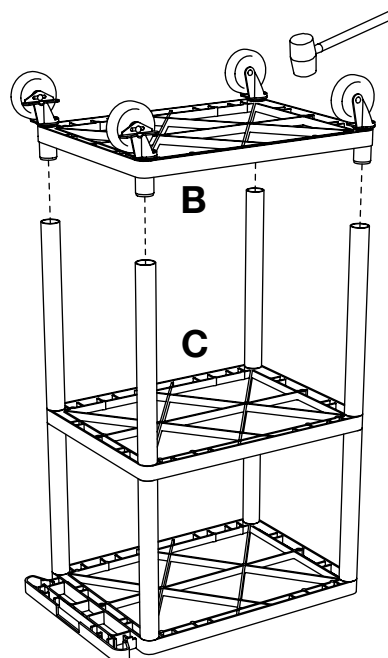
**3**



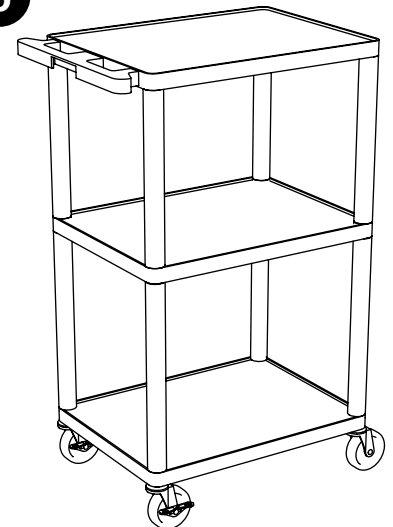
**4**



**5**



**6**



# Plastic Cart Cabinet

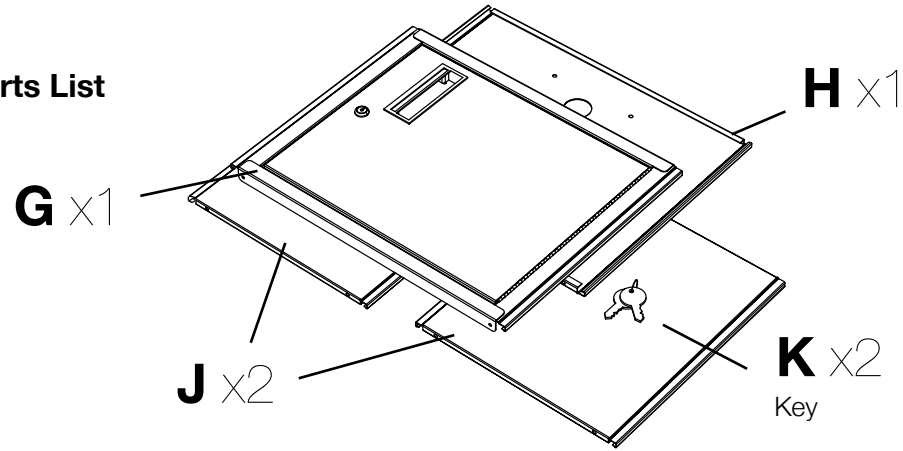
## Pack Instructions

Round Legs

06/13/13

Please consult your cart base unit instructions before starting

### Parts List

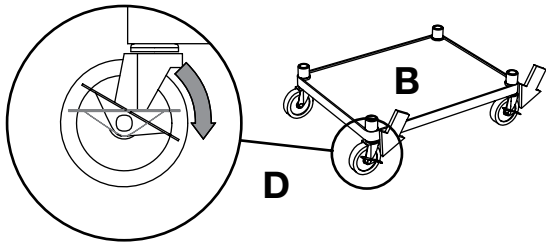


### Tools Required

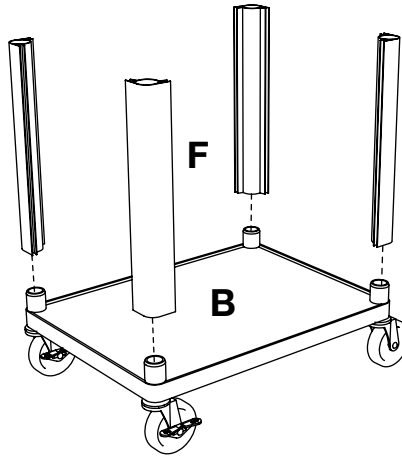
- Rubber Mallet

**1**

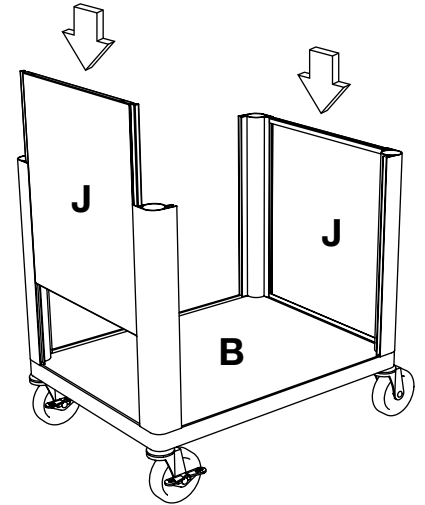
**IMPORTANT:** Flip shelf **B**, and lock the 2 locking casters **D** before assembling the unit.



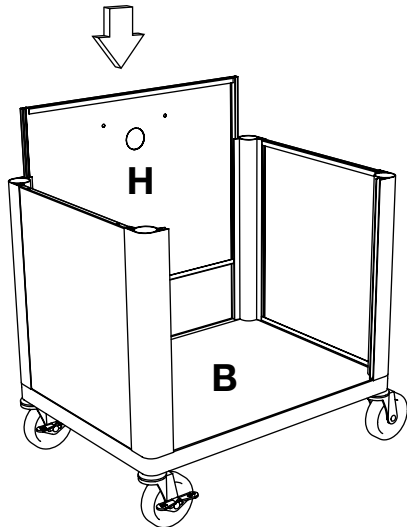
**2**



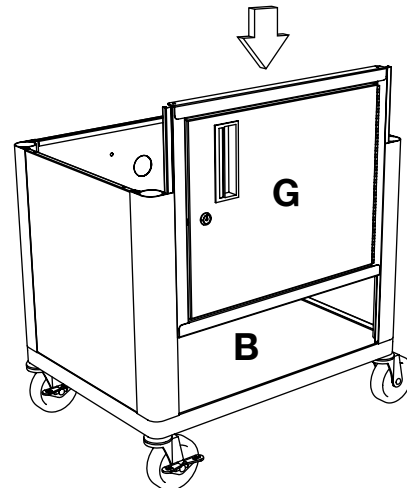
**3**



**4**



**5**



**6**

