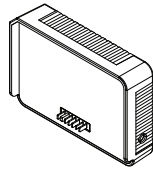


### In the Box:

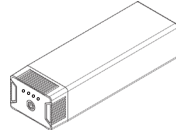


Power Cord

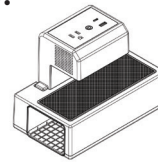


Single Battery Charger

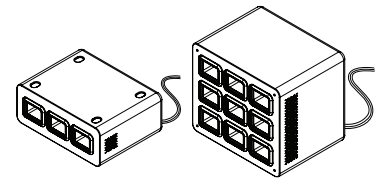
### Ships / Sold Separately:



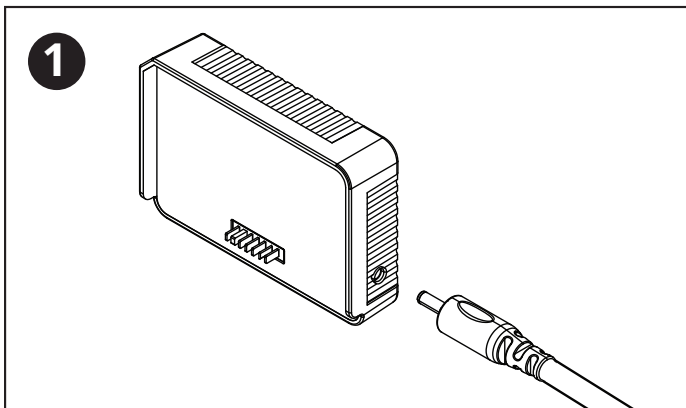
Rechargeable Battery



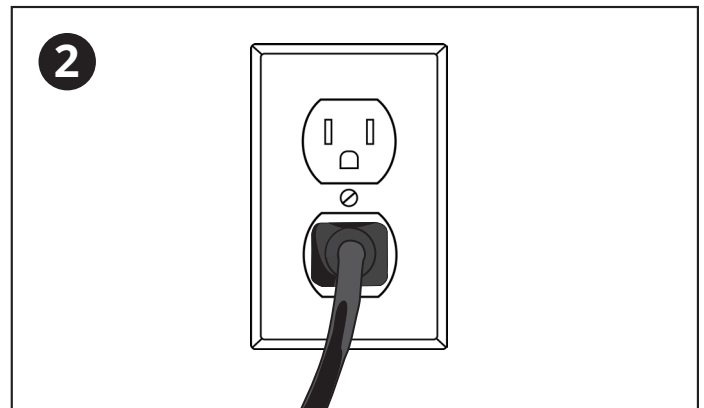
Clamp-On  
Desktop Charging Unit



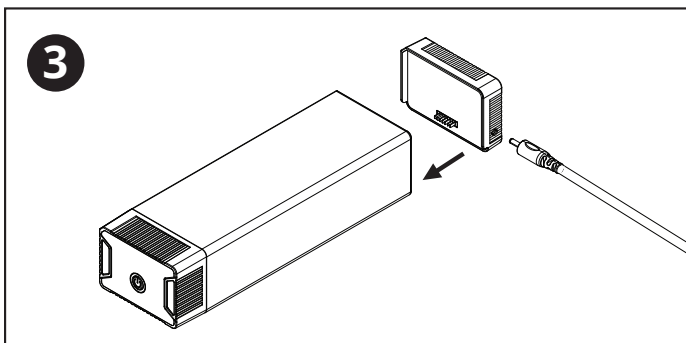
Battery Charging Options



**1** Plug male end of power cord into Single Battery Charger.



**2** Plug power cord into available AC wall outlet.

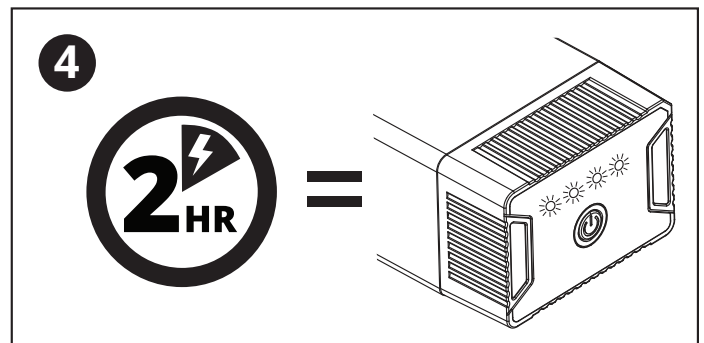


**3** Connect Rechargeable Battery to Single Battery Charger.

When fully connected, Rechargeable Battery indicator lights will blink to show charging status.

- **1st dot blinking**  
= 0 to 24% charged
- **2nd dot blinking, 1st dot solid**  
= 25 to 49% charge
- **3rd dot blinking, 1st & 2nd dot solid**  
= 50 to 74% charged
- **4th dot blinking, 1st, 2nd, & 3rd dot solid**  
= 75 to 99% charged

**NOTE:** Batteries will ship only partially charged and must be fully charged before first use.



**4** Allow two (2) hours for Battery to fully charge.

When all four indicator lights illuminate solid, the Battery is fully charged.

## TROUBLESHOOTING

### Indicator lights not illuminating\*

1. Ensure Single Battery Charger is fully plugged in and connected to Battery.
2. If step 1 does not work, contact customer service.

\*Indicates Rechargeable Battery is not charging when connected to Single Battery Charger.