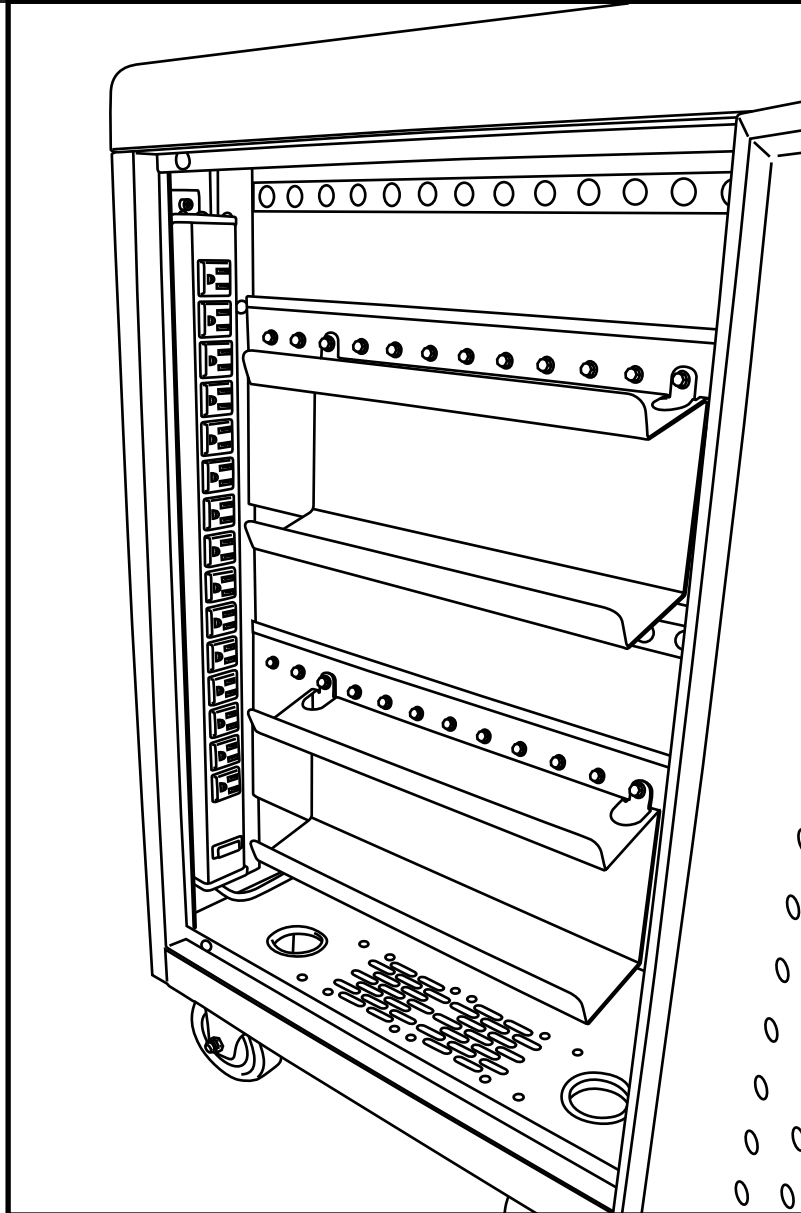


LUXOR

INNOVATIVE WORKSPACE PRODUCT SOLUTIONS



Questions or concerns? Contact us directly!

1-800-323-4656

CustomerService@LuxorFurn.com

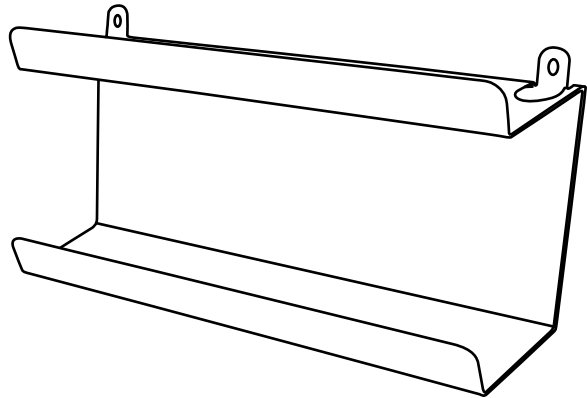
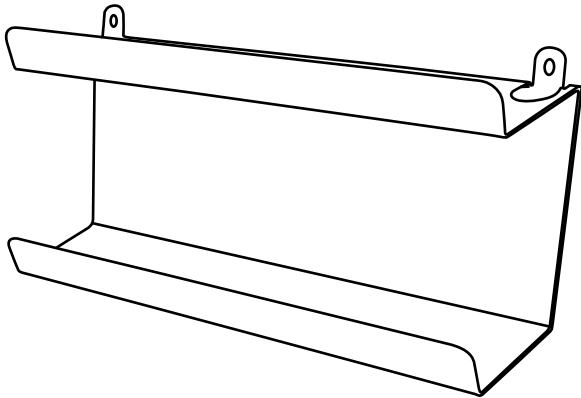


LLTM30-PBAY

PARTS INCLUDED

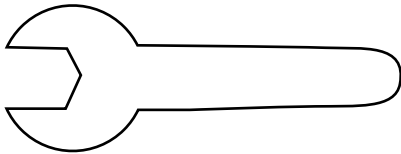
NOT TO SCALE

QTY: 2



TOOLS REQUIRED

NOT INCLUDED



***NOTE: Hardware and tools do not come with the LLTM30-PBAY!
The hardware from the LLTM30-B will be used.**

USE & LIABILITY

Read all instructions before installation. Keep instructions for reference. Manufacturer does not accept warranty claims or liability claims for damages caused by improper use or handling.

CUSTOMER SERVICE

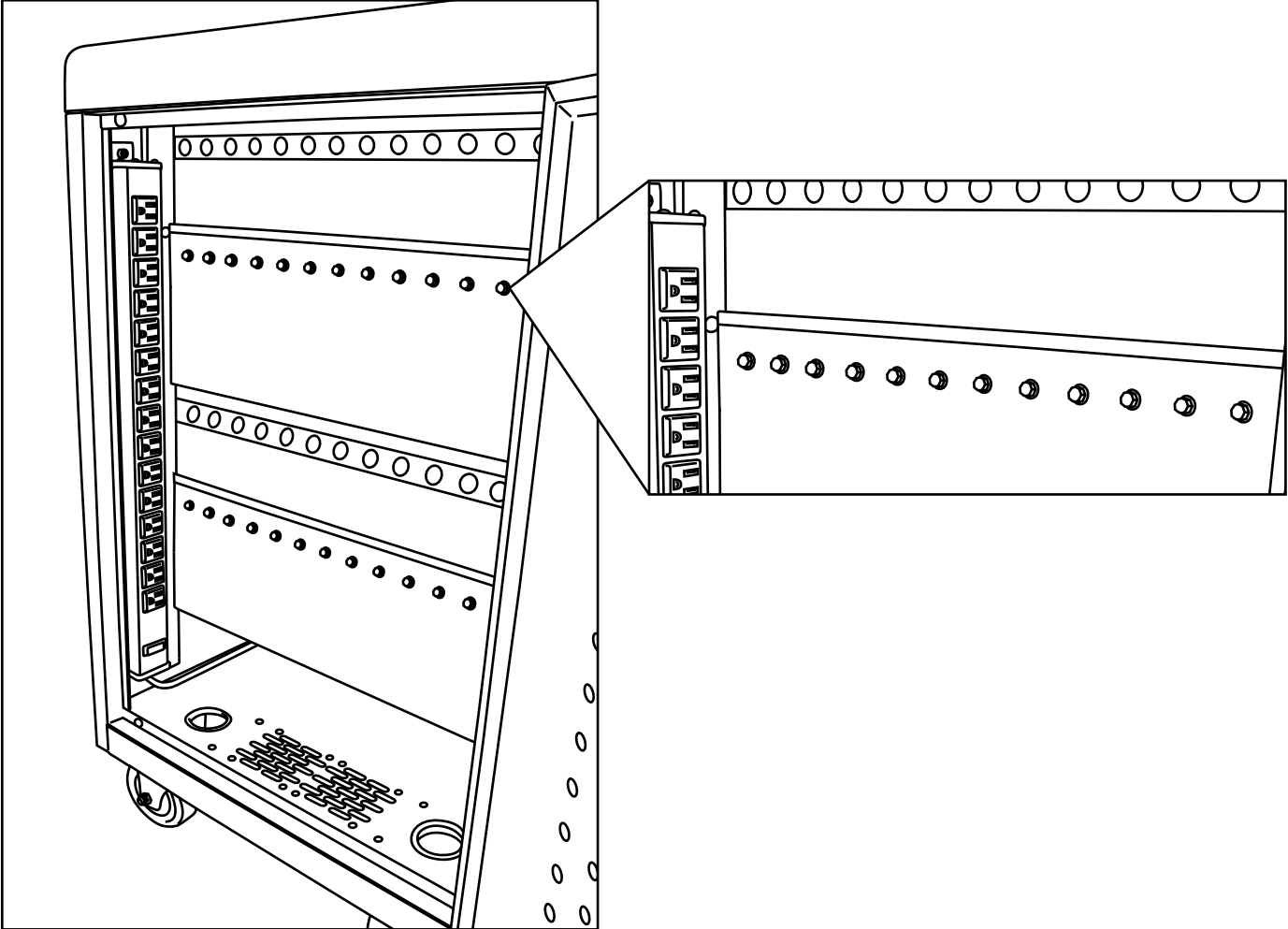
Questions or concerns? Contact us directly!

1-800-323-4656
CustomerService@LuxorFurn.com



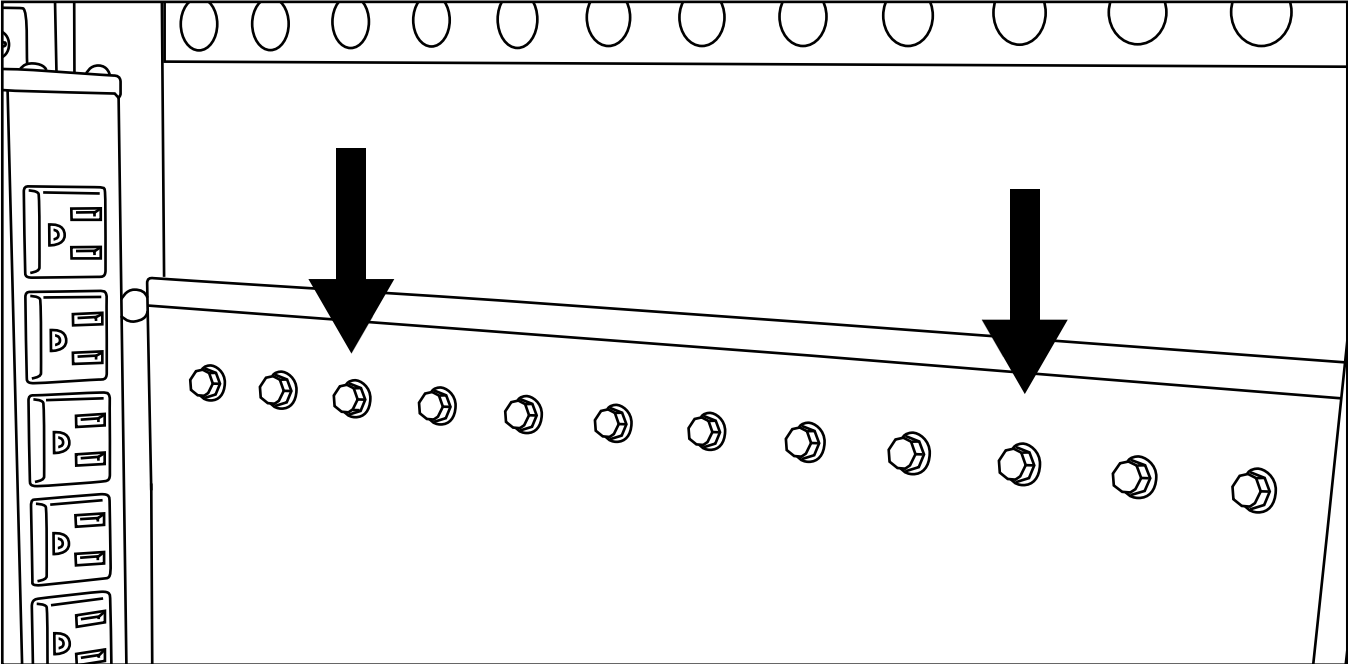
1

Open the back door of your LLTM30-B. Locate the rows of nuts on the two back panels.



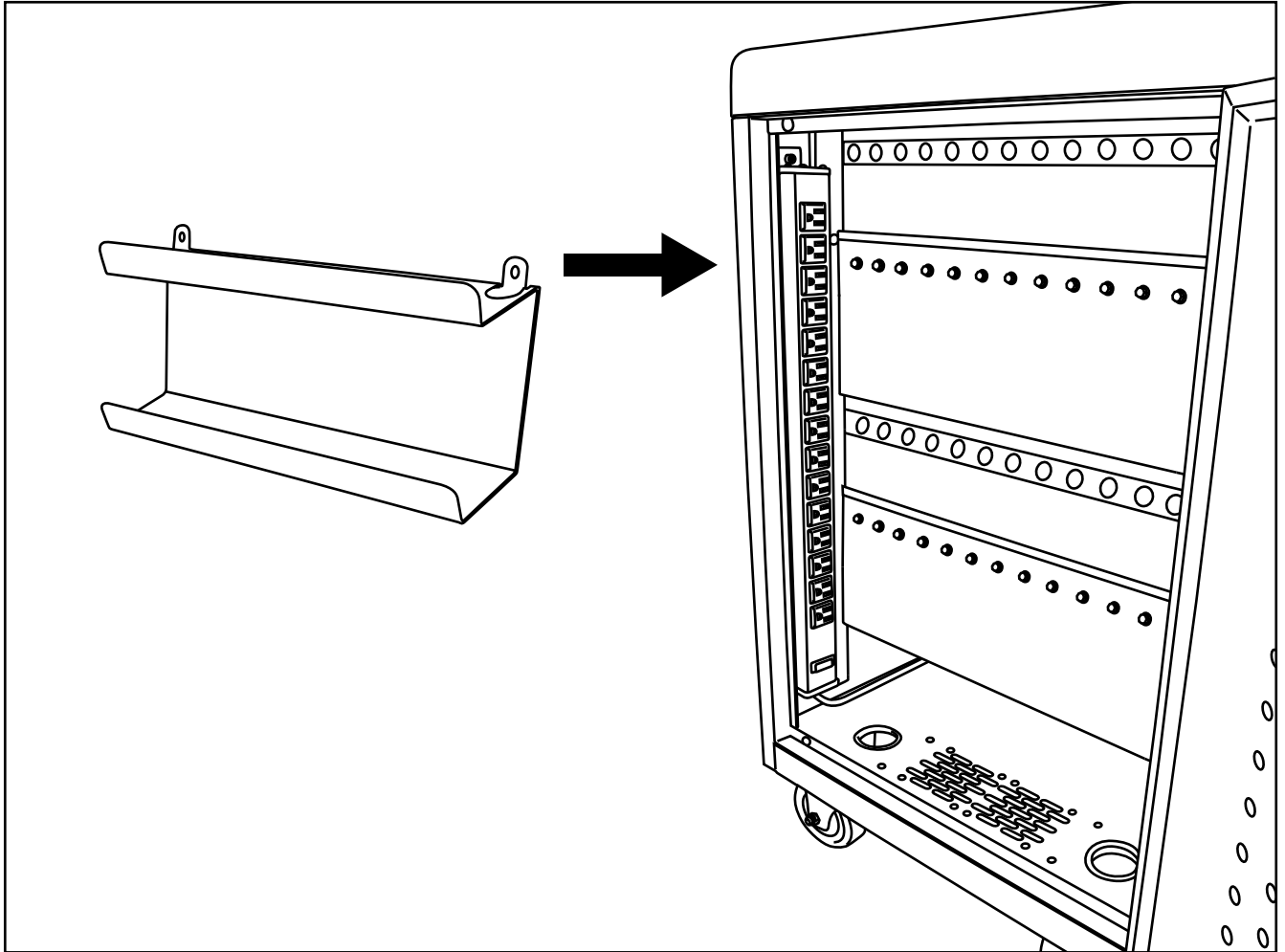
2

Remove the Third nut in on both the right and left sides.



3

Take one of the Power Brick holders and slide it onto the screws that you just removed the nuts from.



4

Place the nut in front of the power brick holder and tighten. Then repeat for the second Power Brick holder.

