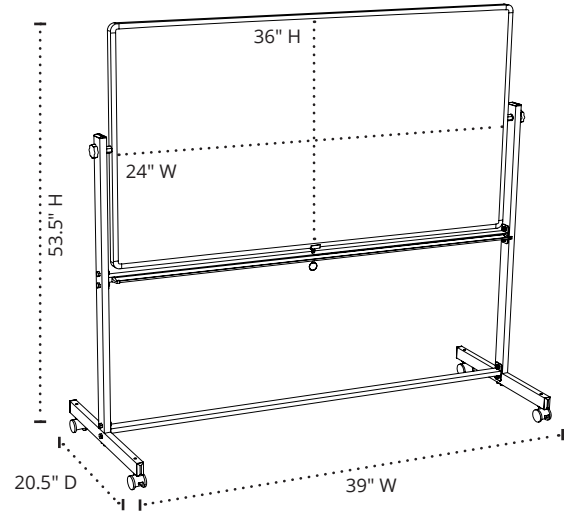


MB3624WW

Double-Sided Magnetic Whiteboard

Product Specifications

Item Number	MB3624WW
Material	Painted Steel
Frame	Aluminum; 1" edging
Surface Material	Magnetic Painted Steel
Full Dimensions	39"W x 20.5"D x 53.5"H
Board Dimensions	36"W x 24"H
Base Dimensions	39"W x 20.5"D
Tray Style	Full Length
Casters (4)	2" casters; two with locking brakes
Actual Weight	11 lbs.
Shipping Method	Ground
Shipping Carton Dimensions	42"W x 36"D x 2"H
Shipping Weight	28 lbs.
Assembly Required	Yes



**To Order, Call Your
Sales Representative
or 800-323-4656**