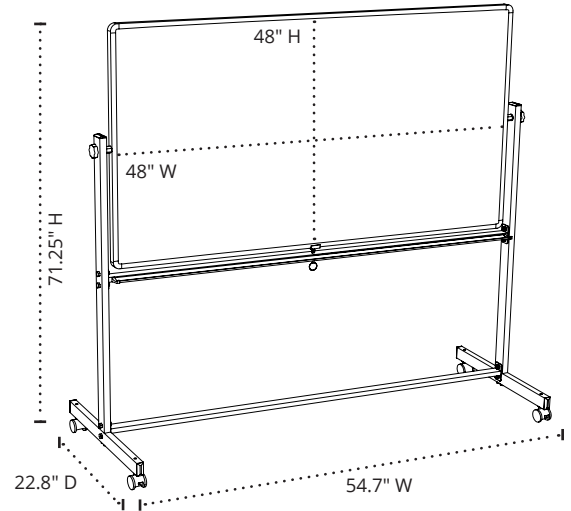


MB4848WW

Double-Sided Magnetic Whiteboard

Product Specifications

Item Number	MB4848WW
Material	Painted Steel
Frame	Aluminum; 1" edging
Surface Material	Magnetic Painted Steel
Full Dimensions	54.7"W x 22.8"D x 71.25"H
Board Dimensions	48"W x 48"H
Base Dimensions	54.7"W x 22.8"D
Tray Style	Full Length
Casters (4)	2" casters; two with locking brakes
Actual Weight	34 lbs.
Shipping Method	Freight
Shipping Carton Dimensions	58"W x 55"D x 2"H
Shipping Weight	49 lbs.
Assembly Required	Yes



**To Order, Call Your
Sales Representative
or 800-323-4656**