

Mobile Board Instructions

03/18/15

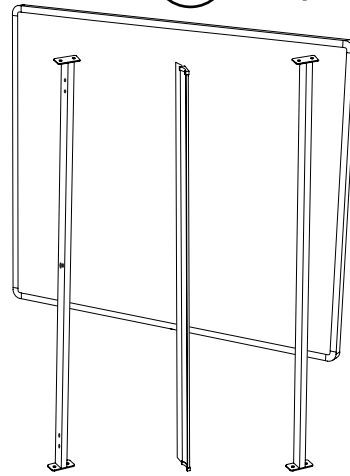
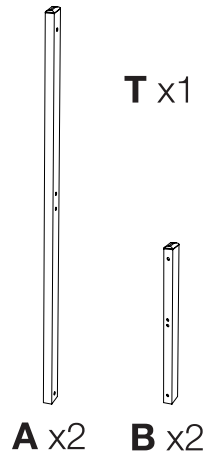
Note: After assembly, peel the protective film from both sides of the board.

Cleaning Tip: A mild dish washing liquid can be used with a soft cloth to clean the writing surface.



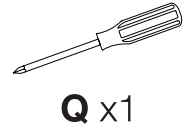
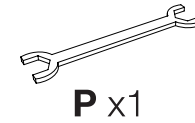
Assistance Required

Parts List



Tools Required

- Additional Wrench



F x4

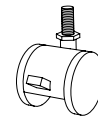
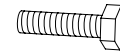
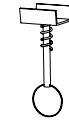
G x10

H x8

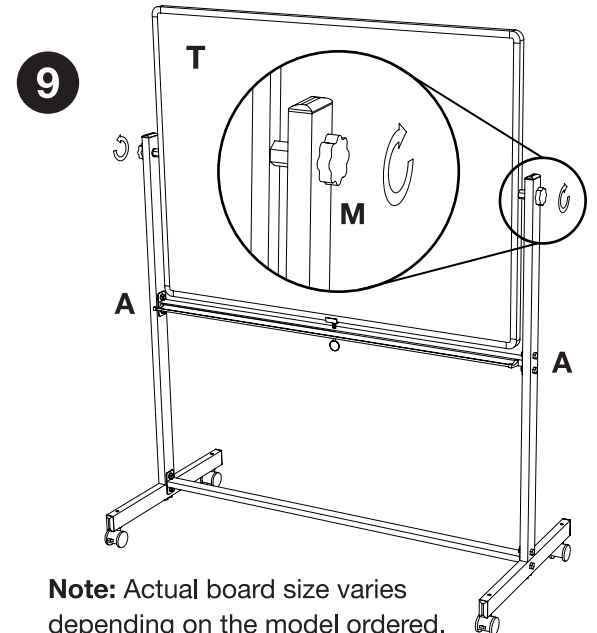
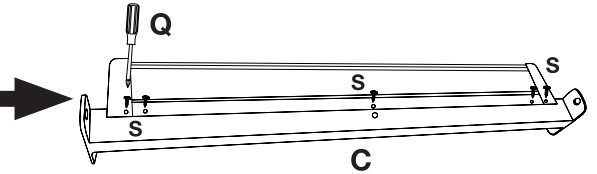
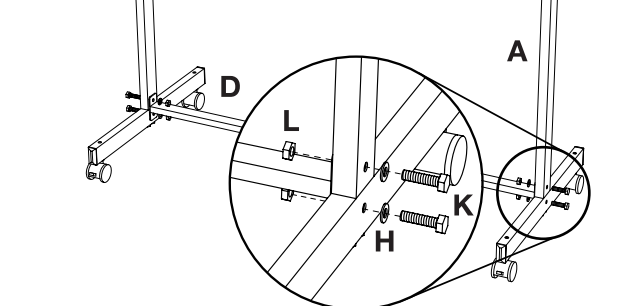
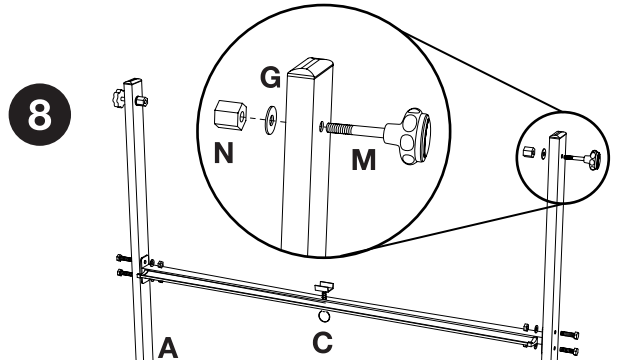
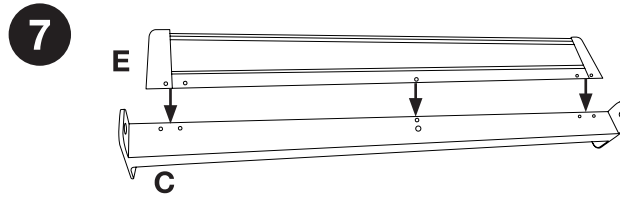
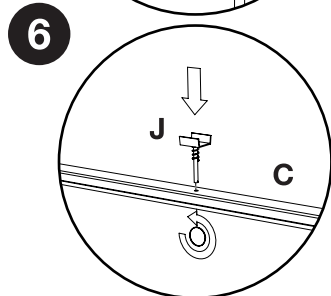
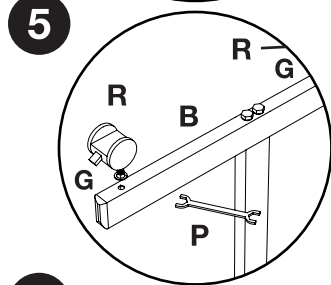
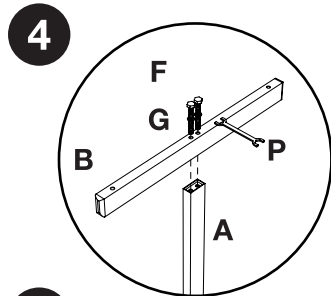
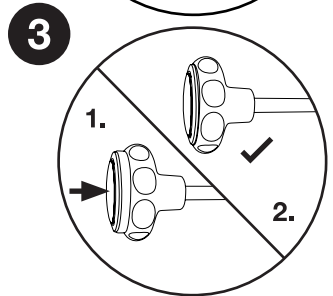
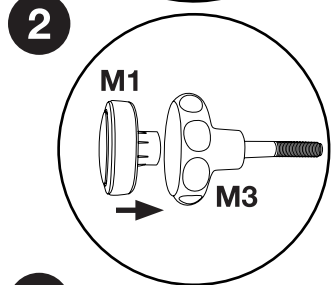
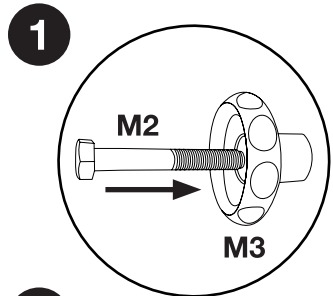
M1 x1

M2 x1

M3 x1



S X varies depending on size of board



Note: Actual board size varies depending on the model ordered.