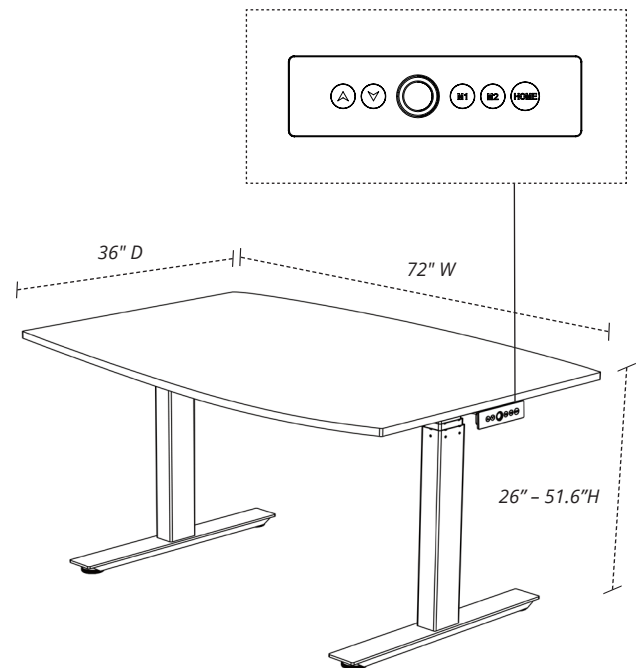


STANDECT72WO

72" ELECTRIC ADJUSTABLE HEIGHT CONFERENCE TABLE

Product Specifications

| | |
|----------------------------|--------------------------------|
| Item Number | STANDECT72WO |
| Desktop Color | White Oak |
| Frame Color | Black |
| Table Material | Melamine with PVC edge banding |
| Frame Material | Steel |
| Electric Type | Dual Motors |
| Power Cord | 9' |
| Noise Level | 40 db |
| Full Dimensions | 72" W x 36" D x 26" – 51.6" H |
| Table Dimensions | 72" W x 36" D x 0.625" H |
| Adjustable Height Range | Between 26" – 51.6" H |
| Speed | 1.2" per second |
| Anti-collision Technology | Yes |
| Stage of Each Leg | 3 Stage |
| Actual Weight | 135 lbs |
| Lift Weight Capacity | 256 lbs. |
| Glides | Furniture glides |
| Ship Method | Freight |
| Shipping Weight | 146 lbs. |
| Meets ANSI/BIFMA Standards | Yes |
| Assembly Required | Yes |



To Order, Call Your
Sales Representative
or 800-323-4656