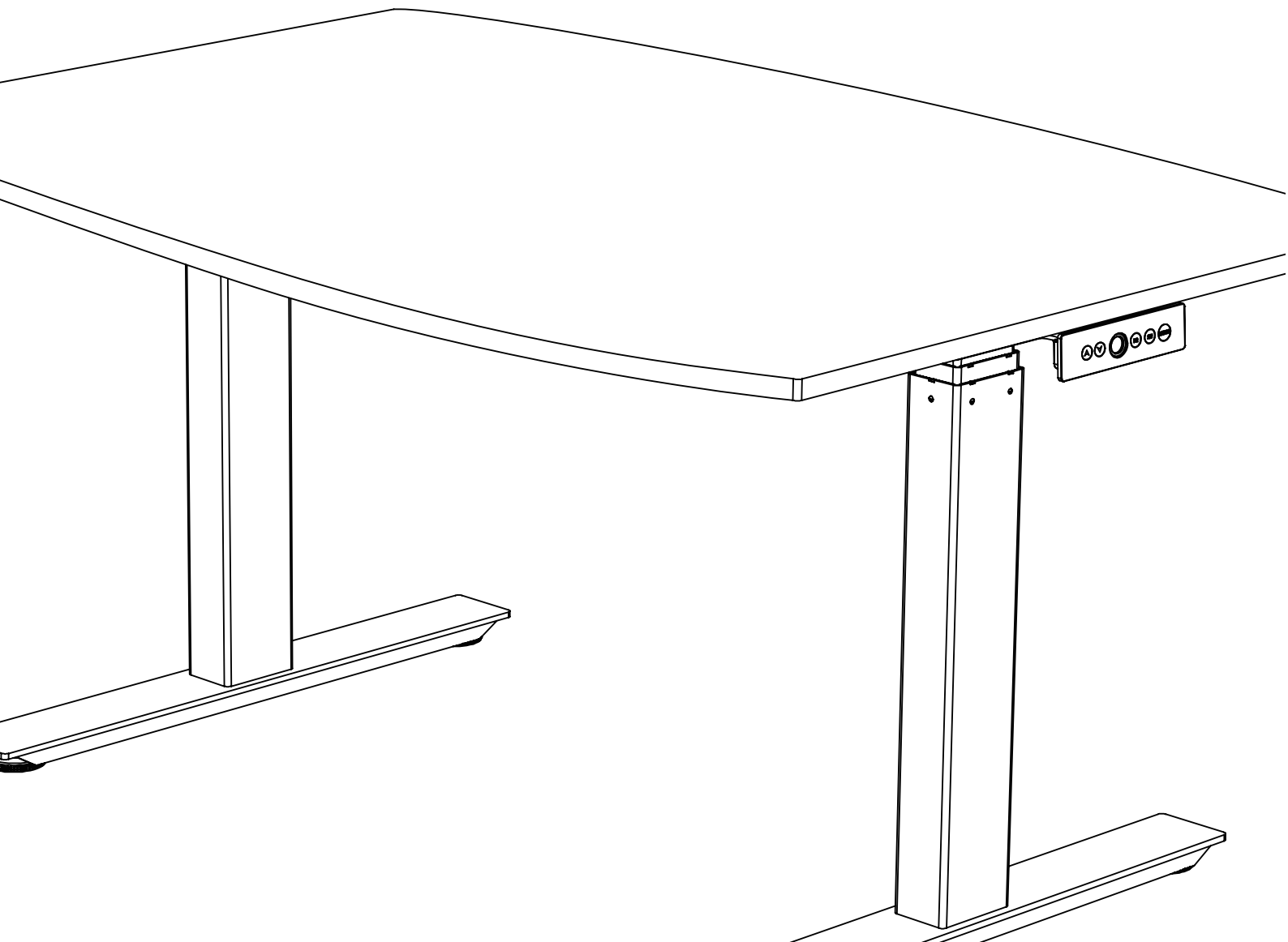


LUXOR

INNOVATIVE WORKSPACE PRODUCT SOLUTIONS



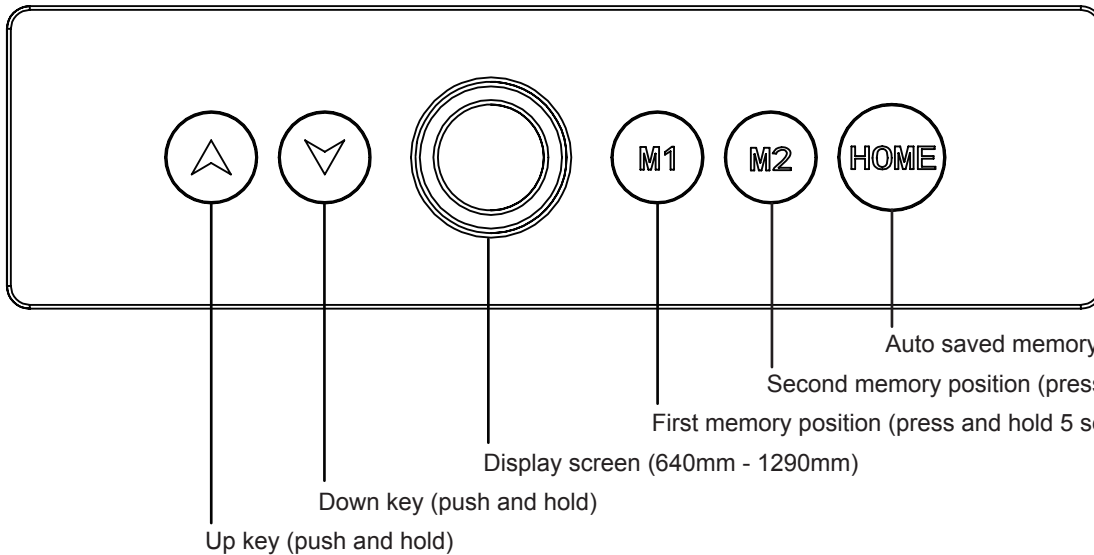
Questions or concerns? Contact us directly!

1-800-323-4656
CustomerService@LuxorFurn.com



Electric / Triple Stage / Dual Motor

HANDSET



MANUAL RESET:

Check to make sure all cables are well connected, retry handset. If issue continues... Disconnect power cable for 3 minutes, reconnect power cable, retry handset.

CAUTION

- Keep children away from desk - especially handset, controller / powerbrick, legs, or cables. There is a risk of electric shock or serious injury.
- Do not open any components - especially handset, controller / powerbrick, legs or cables. There is a risk of electric shock or serious injury.
- Close supervision is necessary when children, elderly, or persons with disabilities are in close proximity.
- Keep all electrical components away from liquids or wet areas.
- Do not sit or stand on desk. Do not crawl or lie under desk.
- Do not place any object taller than 20" (when using glides) 23" (when using casters) under desk.
- Never operate desk if cords / plug are wet or damaged.
- Make sure there are no obstacles in the path of the desk's motion.
- Make sure all cords are appropriate length to accommodate desk's motion.
- Never exceed noted weight capacity.
- Ensure all hardware are properly tightened.
- If component needs to be replaced, remove power cord first.
- In the event of a power outage or accidental removal of power cord, a manual reset may be necessary. See **MANUAL RESET**.

USE & LIABILITY

Read all instructions before using desk. Keep instructions for reference. Manufacturer does not accept warranty claims or liability claims for damages caused by improper use or handling.

CUSTOMER SERVICE

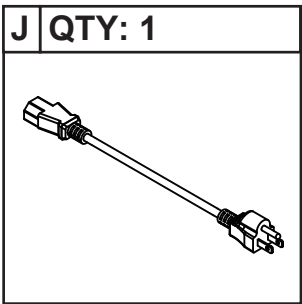
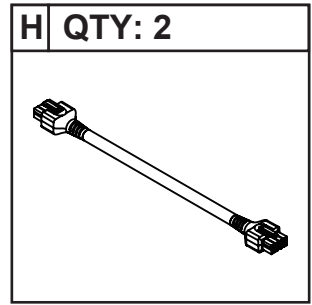
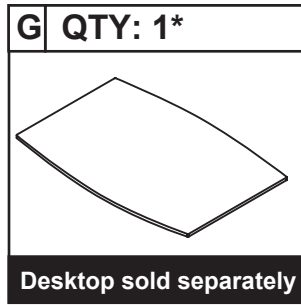
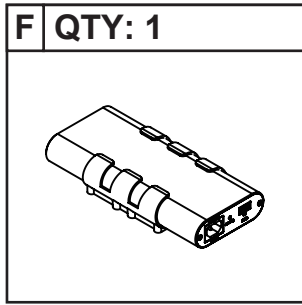
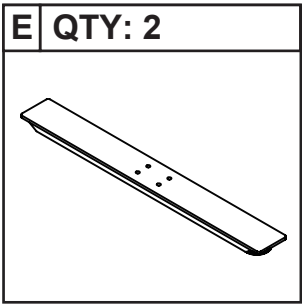
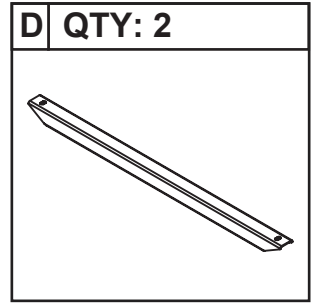
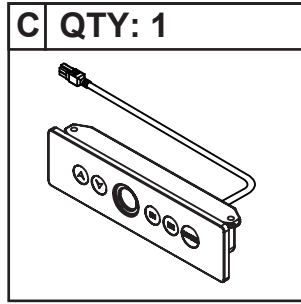
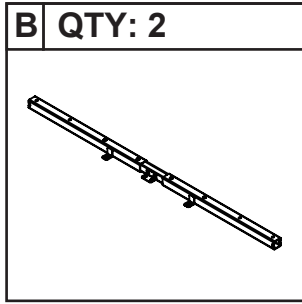
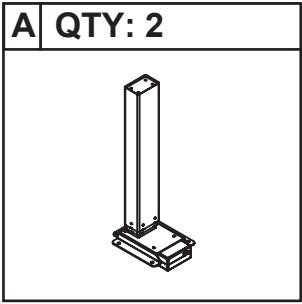
Questions or concerns? Contact us directly!

1-800-323-4656
CustomerService@LuxorFurn.com



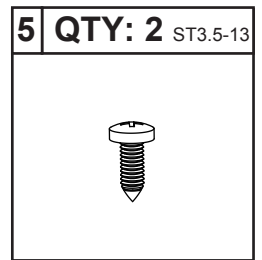
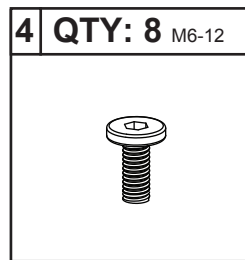
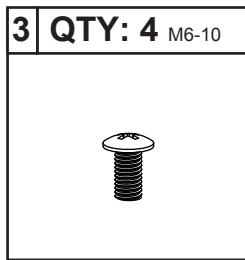
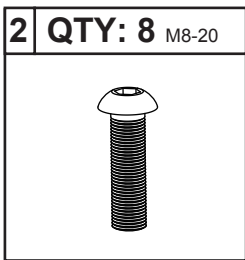
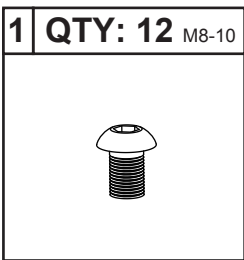
PARTS INCLUDED

NOT TO SCALE



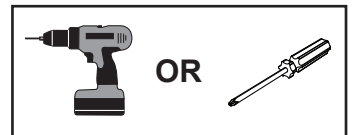
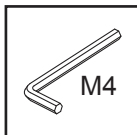
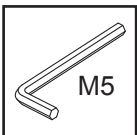
HARDWARE INCLUDED

NOT TO SCALE

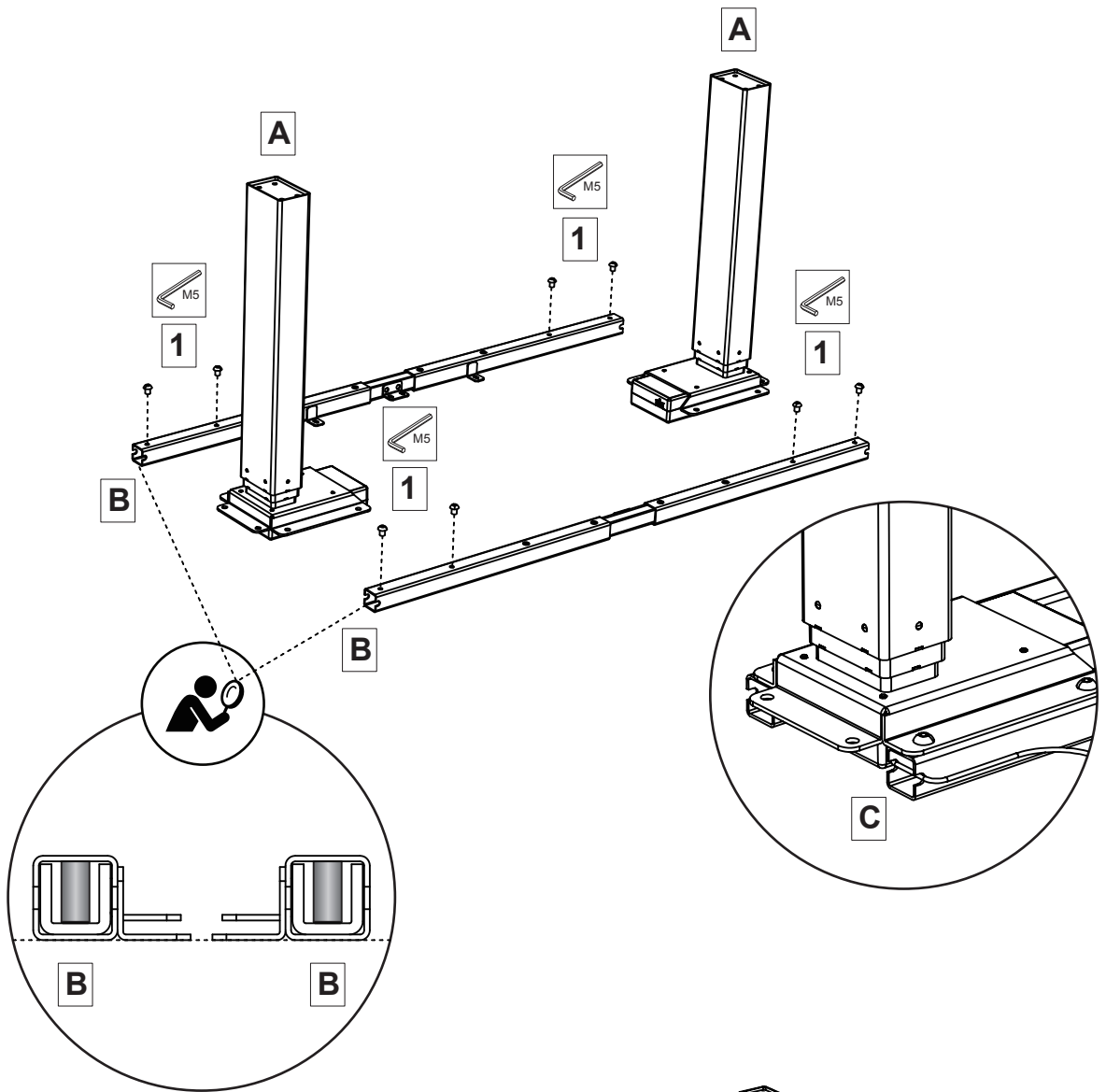


TOOLS INCLUDED

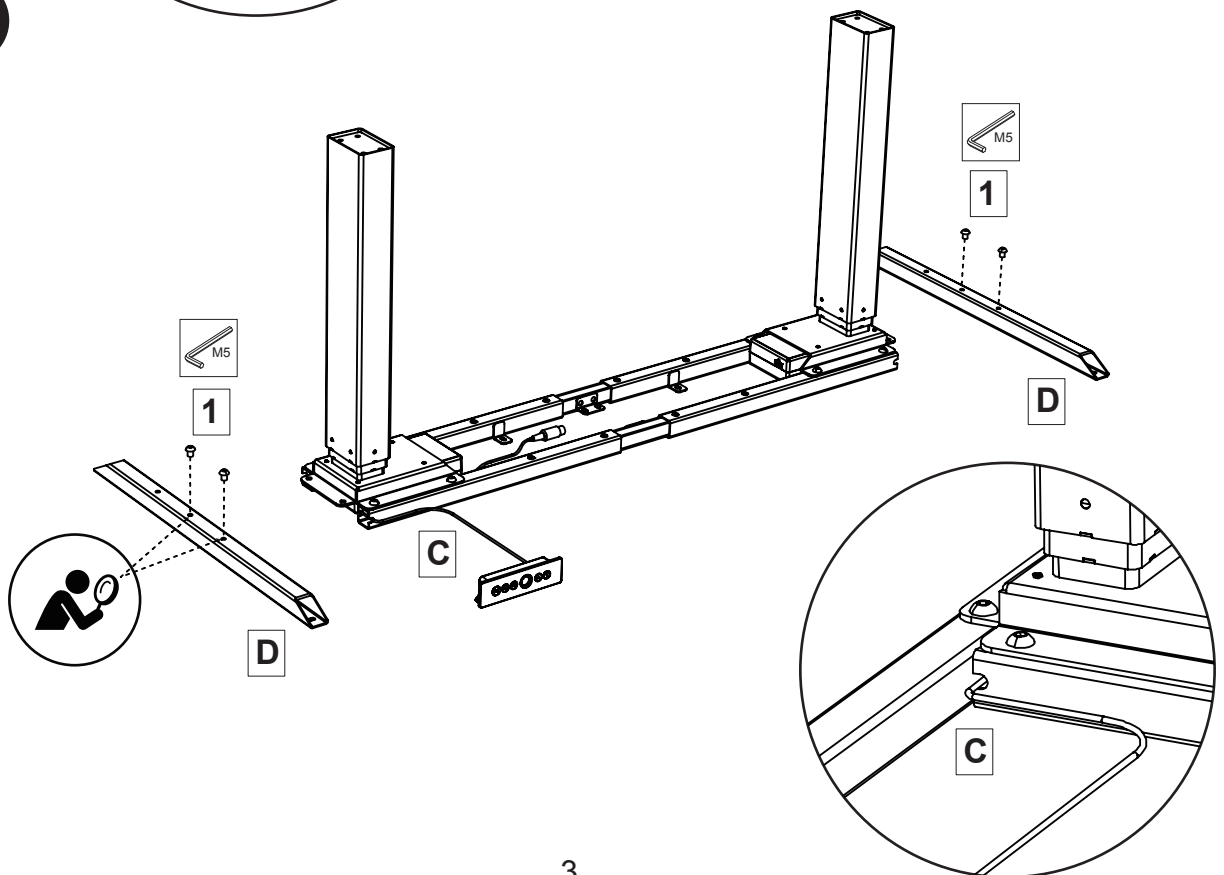
TOOLS REQUIRED



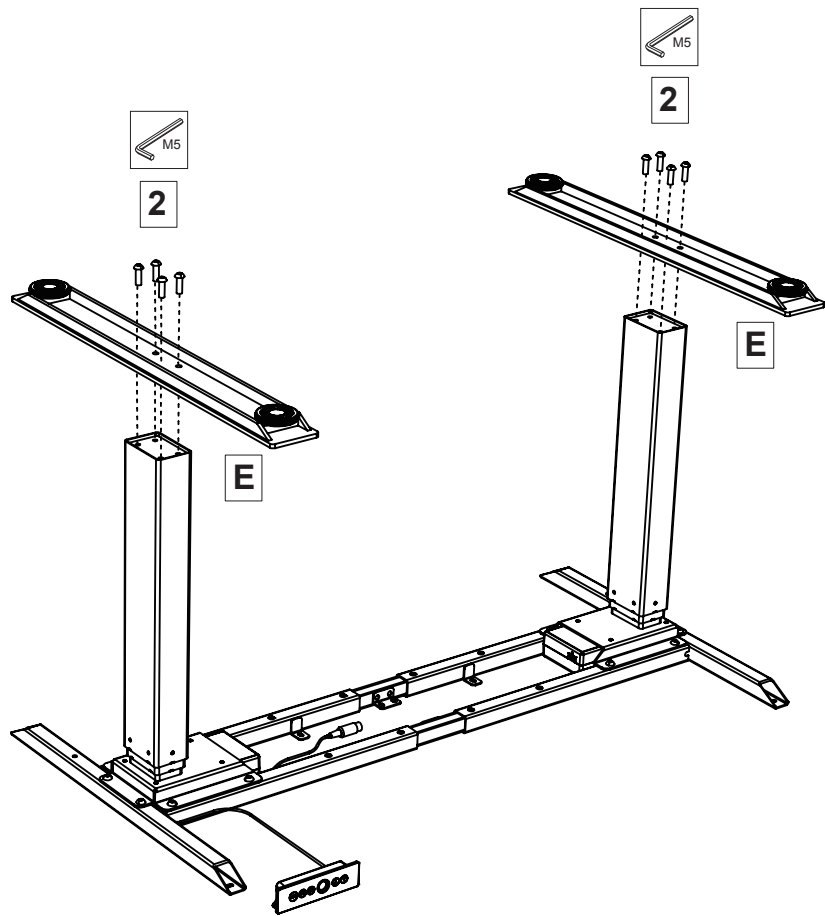
1



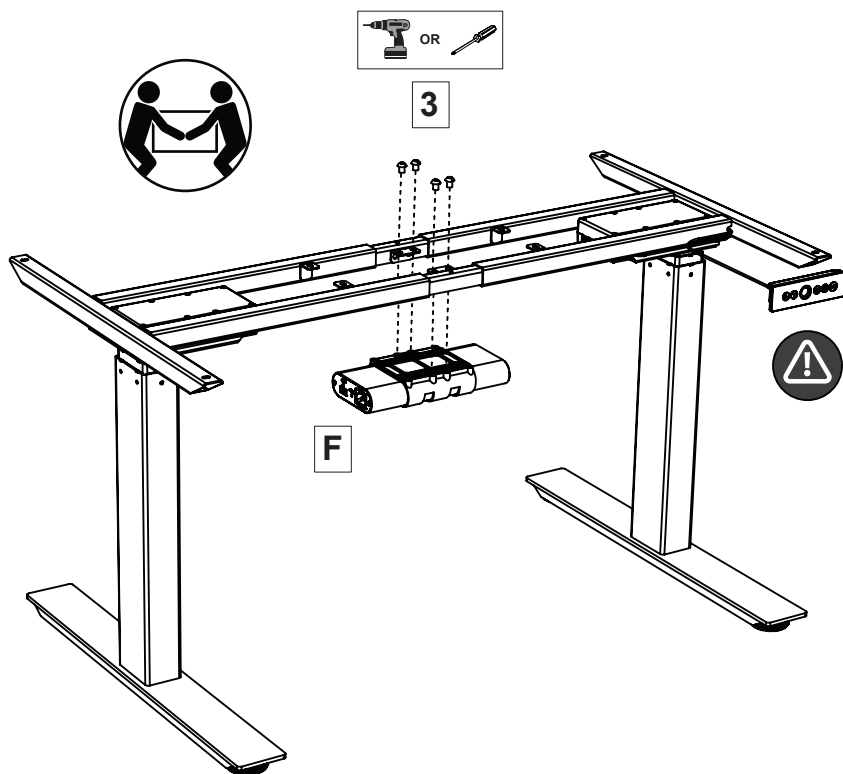
2



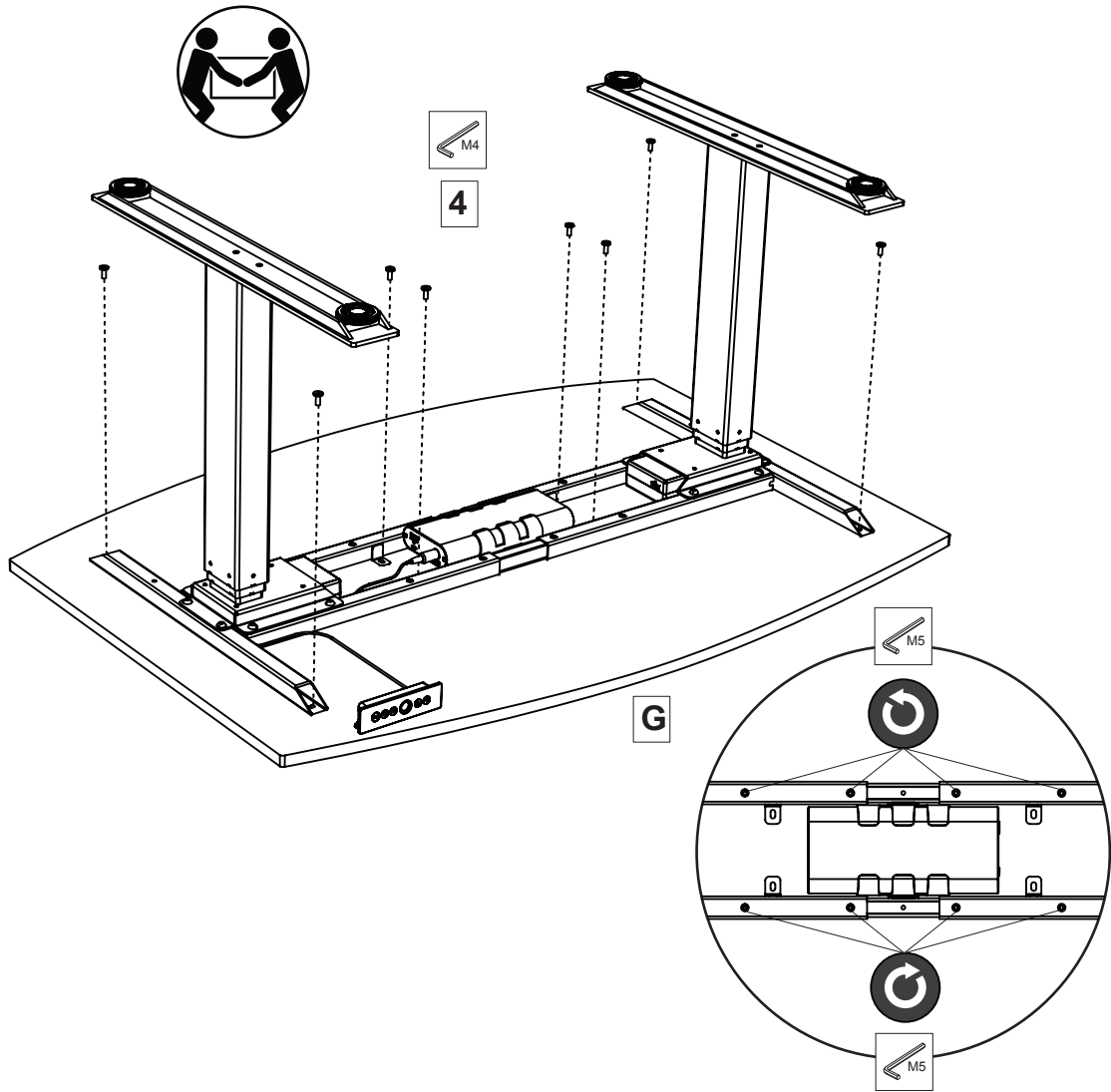
3



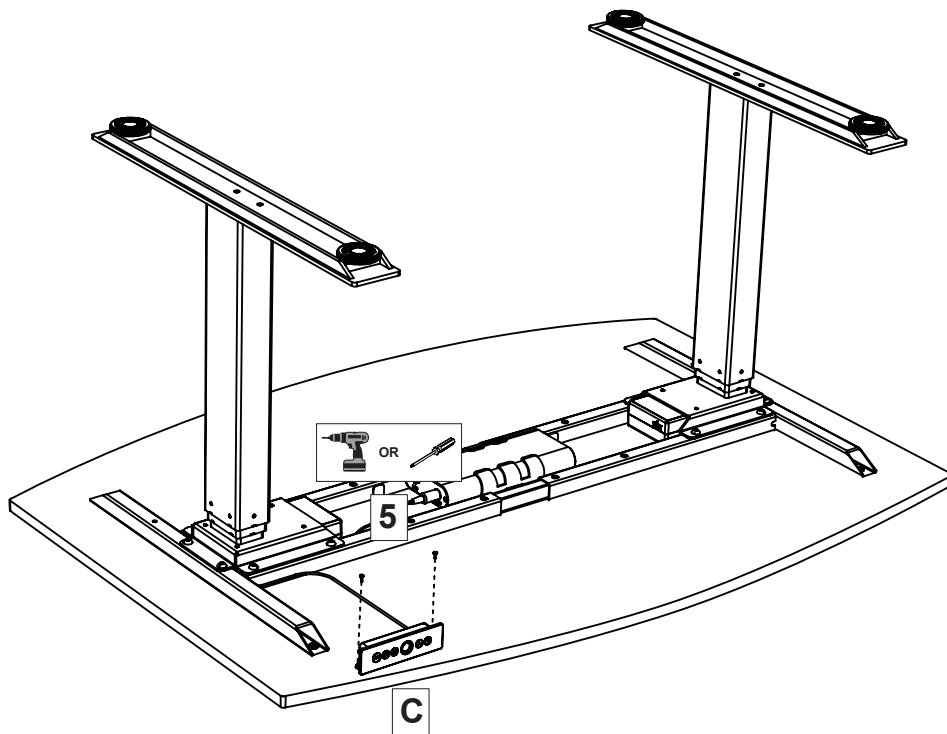
4



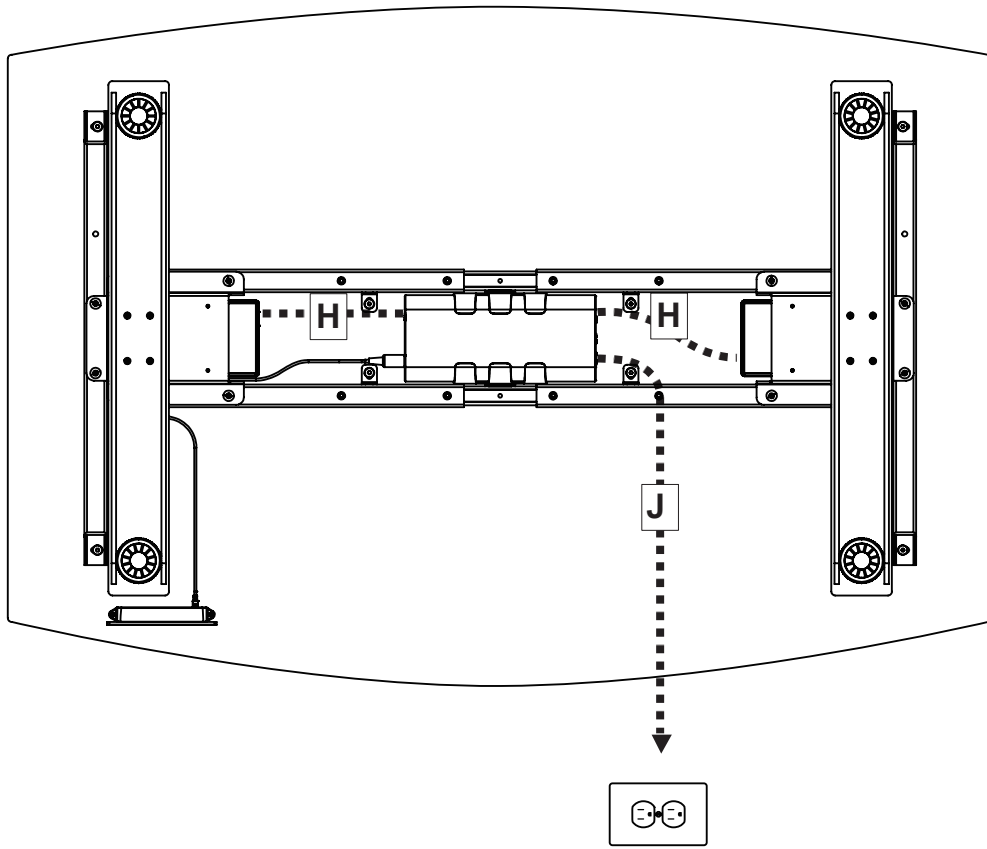
5



6



7



8

