

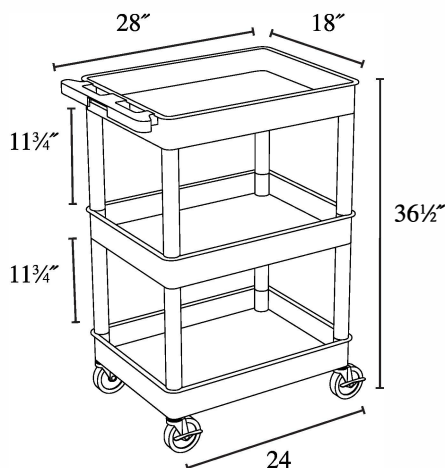
## Utility Tub Cart With Bottle Holder



**STC111H-B**  
24"W x 18"D x 36½"H



- Measures 24"W x 18"D x 36½"H with a clearance between shelves of 11¾" for easy access
- Includes three 2¾" D tub shelves
- Four 4" Heavy-Duty non-marring casters, two with locking brake
- Comes with bottle holder for cleaning supplies, spray bottles or other accessories
- Molded plastic shelves and legs won't stain, scratch, dent or rust
- Maximum weight capacity of 300 lbs. (evenly distributed)



**MADE IN  
USA**