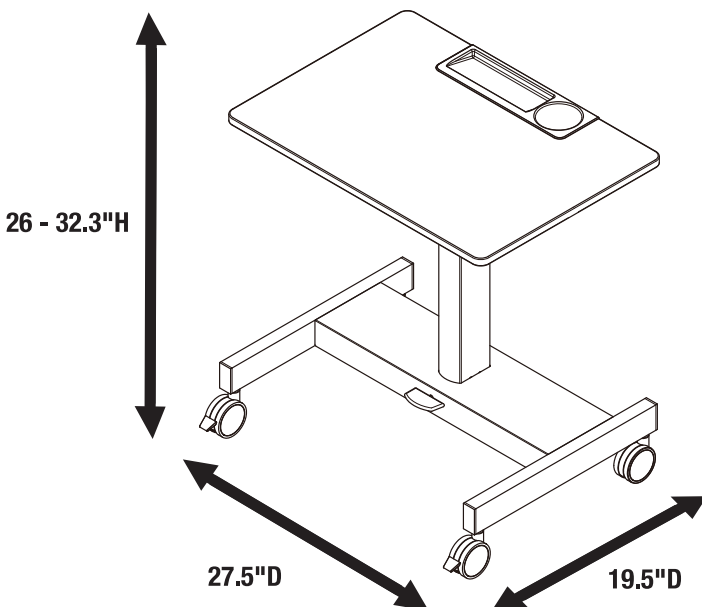


STUDENT-P-S - PNEUMATIC HEIGHT ADJUSTABLE STUDENT DESK SHORTER VERSION FOR LOWER GRADE LEVELS

Product Specifications:

Item Number	STUDENT-P-S
Dimensions	27.5"W x 19.5"D x 26" - 32.3"H
Frame Make	powder-coated steel
Frame Color	Medium Gray
Weight	33 lbs.
Desktop Make	Melamine Surface
Desktop Color	Light Gray
Desktop Dimensions	27.5"W x 19.5"D
Height Adjustment Mechanism	Pneumatic Foot Pedal
Height Adjustment Increments	Anywhere between 26" - 32.3"H
Weight Capacity	110 lbs. (26"H) - 66 lbs. (32.3"H)
Casters (4)	3" casters; two with locking breaks
Additional Features	Backpack hook, cup holder, pencil holder
Meets ANSI/BIFMA	Yes
Meets CPSIA	Yes
Shipping Method	Ground
Shipping Carton Dimensions	32"W x 24"D x 5"H
Shipping Weight	37 lbs.
Assembly Required	Yes



**To Order, Call Your
Sales Representative
or 800-323-4656**