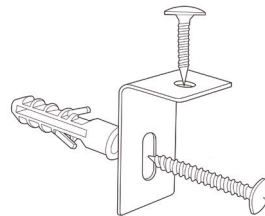
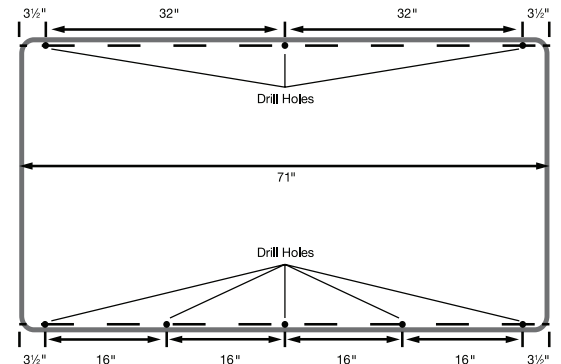
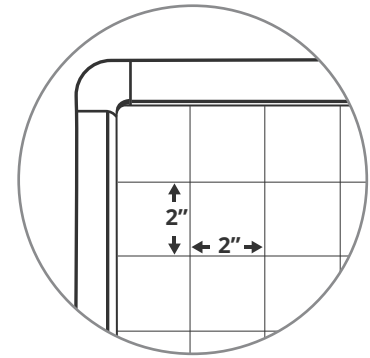
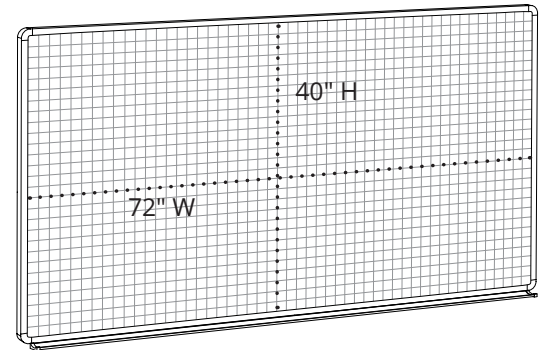


WB7240LB WALL-MOUNTED MAGNETIC GHOST GRID WHITEBOARD

Product Specifications

Item Number	WB7240LB
Material	Painted Steel
Frame	Aluminum; 1" edging
Surface Material	Magnetic Painted Steel
Grid Pattern	2" x 2"
Whiteboard Tape	Ships with 2 rolls
Full Dimensions	72"W x 40"H
Tray Dimensions	71"W x 2"D
Actual Weight	21 lbs.
Shipping Method	Ground
Shipping Carton Dimensions	75"W x 44"D x 2"H
Shipping Weight	34 lbs.
Assembly Required	Board assembled; wall-mounted hardware provided



To Order, Call Your
Sales Representative
or 800-323-4656