



## 38" WOOD MULTIMEDIA WORKSTATION WPSDD3

The 38" Wood Multimedia Workstation opens and expands to suit your presentation needs. Two flip-up side shelves securely hold a projector, speakers or other small devices, and a pullout keyboard tray allows you to keep the top workspace clear for use.

Once you're done presenting, you can neatly store your AV equipment and accessories in the lockable cabinet and drawer, then smoothly glide the cart on its rolling casters to its storage space. With its modern pull handles, simple black-and-white coloring, and rounded top shelf corners, this versatile presenter's cart offers a subtle style suitable to any environment.

### Dimensions:

Overall (closed): 23.75"W x 18.875"D x 37.375"H

Keyboard Shelf: 16.375"W x 16.25"D

Drop-Leaf Side Shelves: 13"W x 18.125"D

Cabinet Inner Dimensions: 17.375"W x 18"D x 22.625"H

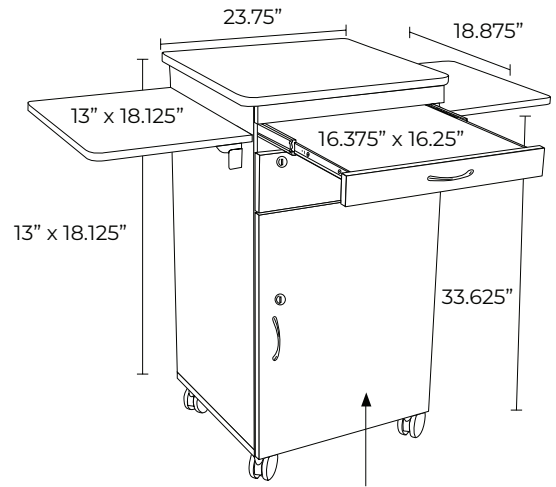
### Features:

- Wood multimedia cart with durable laminate finish
- Two drop-leaf shelves
- Locking cabinet with adjustable/removable shelf
- Includes locking storage drawer and pullout keyboard shelf
- Top shelf has radius corner for safety
- Four 3" casters with plate attachment, two with locking brakes, for easy mobility
- Assembly required

## 38" Wood Multimedia Workstation

WPSDD3

The Luxor 38" mobile workstation provides a versatile solution for presenting and storing AV equipment.



**Cabinet (inner) Dimensions**  
17."W x 18.375"D x 22.625"H

