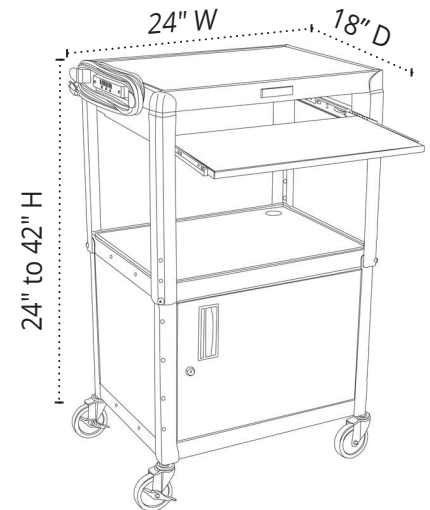


AVJ42XL/AVJ42XLC/AVJ42XLKB/AVJ42XLKBC

Extra-Large Adjustable Height Steel AV Cart
with Optional Locking Cabinet and Keyboard Tray

Product Specifications

Item Numbers	AVJ42XL, AVJ42XLC, AVJ42XLKB, AVJ42XLKBC
Material	Powder-Coated Steel
Color	Black
Cart Dimensions	32" W x 20" D x 24" to 42" H
Weight	See table below
Distance Between Shelves	Lower to Middle: 14.75" Middle to Top: Adjustable, 0.5" to 16"
Retaining Lip	Yes; 0.25"
Safety Mats	Yes
Grommet Holes	Two; one each on middle and top shelf
Casters (4)	4" silent roll, swivel, ball-bearing; two with locking brakes
Power	Three-outlet power strip; UL/CSA Listed
Voltage	120V/15A
Cord Length	15'
Weight Capacity	300 lbs.
Made in USA	Yes
Shipping Method	Ground
Shipping Carton Dimensions	33" W x 22.25" D x 22.25" H
Shipping Weight	See table below
Assembly Required	Yes



To Order, Call Your
Sales Representative
or 800-323-4656

SKU	Product Description	Cabinet Dimensions	Keyboard Tray Dimensions	Product Weight	Shipping Weight
AVJ42XL	Metal Cart, Standard	N/A	N/A	47	50
AVJ42XLC	Metal Cart with Locking Cabinet	30.5" W x 18.75" D x 16.5" H (cabinet interior) 14.25" H x 27.7" W (cabinet door opening)	N/A	64	67
AVJ42XLKB	Metal Cart with Keyboard Tray	N/A	18.75" W x 12" D x 0.75" H	53	56
AVJ42XLKBC	Metal Cart with Locking Cabinet and Keyboard Tray	30.5" W x 18.75" D x 16.5" H (cabinet interior) 14.25" H x 27.7" W (cabinet door opening)	18.75" W x 12" D x 0.75" H	70	73