

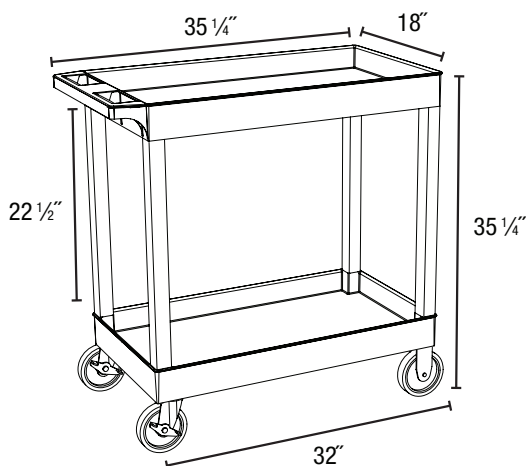
Plastic Utility Cart



EC12-B
35¼" W x 18" D x 33" H



- 33% More capacity than a standard 24" W x 18" D cart
- Measures 35¼" W x 18" D x 33½" H (width includes handle) with a clearance between shelves of 22.5" for easy access
- Includes one 2.5" deep tub shelf and one 1.625" high flat shelf with .25" retaining lip to secure items from sliding off
- Has an ergonomic push handle molded into the top shelf
- Four 4" casters two with swivel locking brake, two stationary
- Molded plastic shelves and legs won't stain, scratch, dent or rust
- Capacity: 100 lbs. per shelf, evenly distributed



**MADE IN
USA**