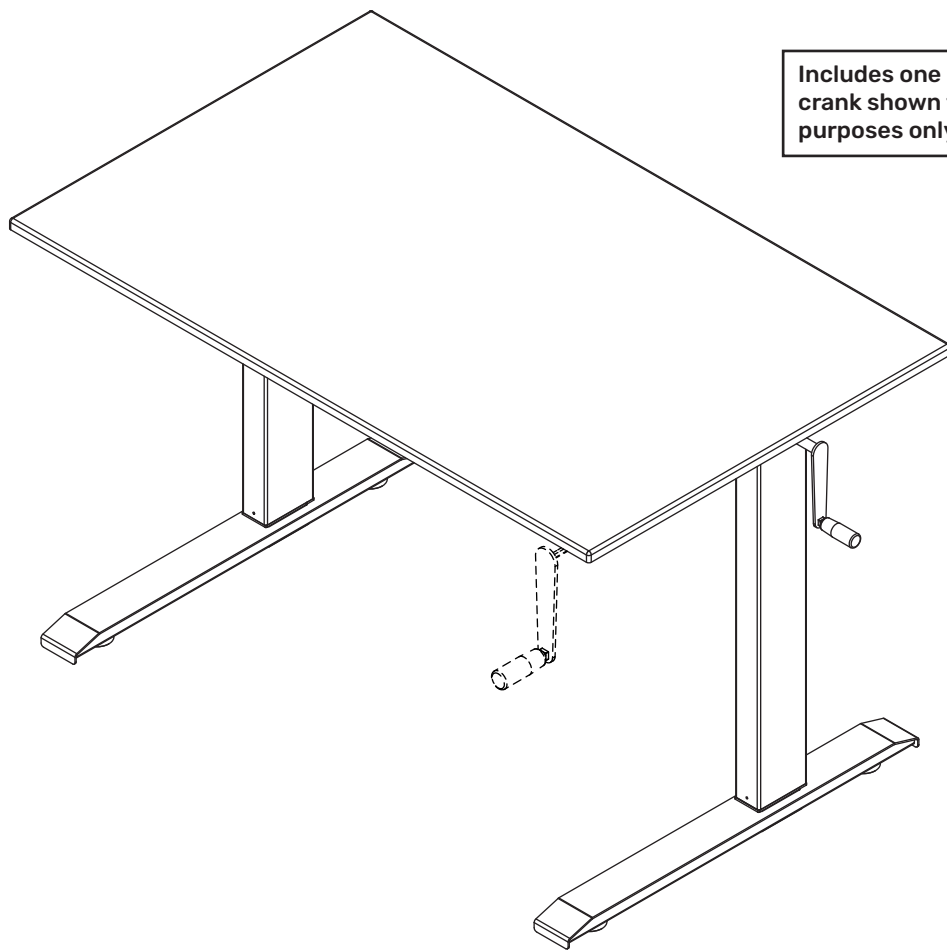


LUXOR



Includes one crank. Second crank shown for visualization purposes only.

High Speed Dual-Point Crank Desk

PARTS INCLUDED

NOT TO SCALE

A QTY: 1	B QTY: 1	C QTY: 1	D QTY: 1	E QTY: 2
F QTY: 2	G QTY: 1	H QTY: 1	I QTY: 1	J QTY: 4
K QTY: 2	L QTY: 2	M QTY: 1*	N QTY: 1	O QTY: 1
		Ships separate box		

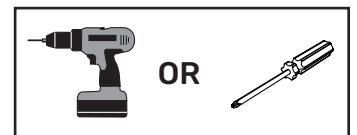
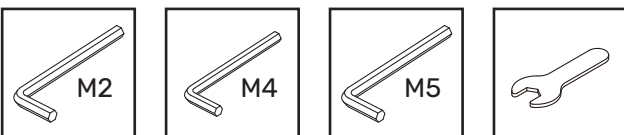
HARDWARE INCLUDED

NOT TO SCALE, COLOR MAY VARY

1 QTY: 8	2 QTY: 6	3 QTY: 6	4 QTY: 22	5 QTY: 10	6 QTY: 1
M6-65 	M8-20 		M6-12 	M8-15 	M4-6

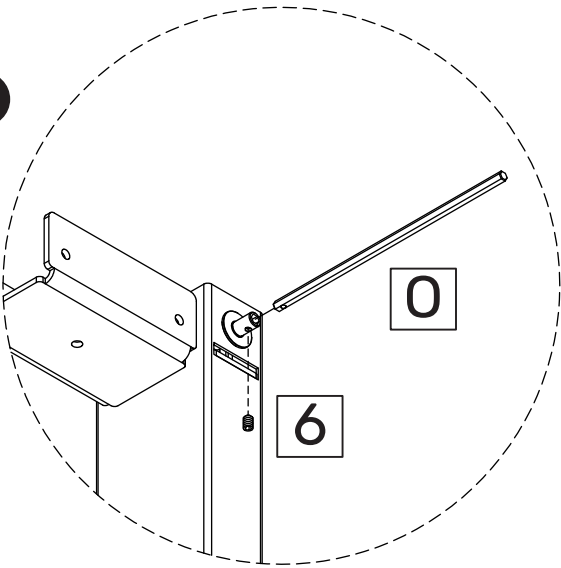
TOOLS INCLUDED

TOOLS REQUIRED

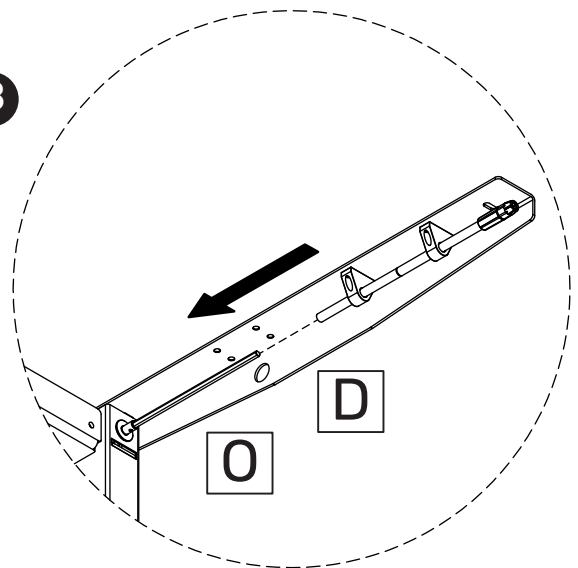


1

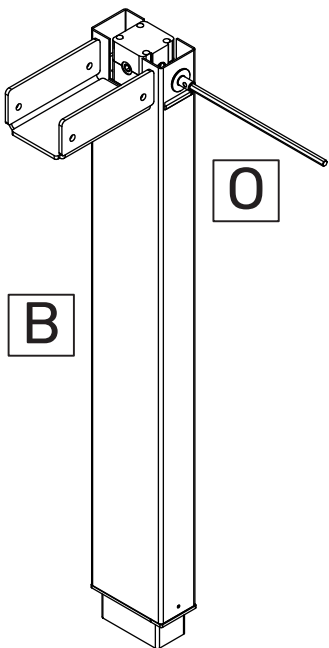
A



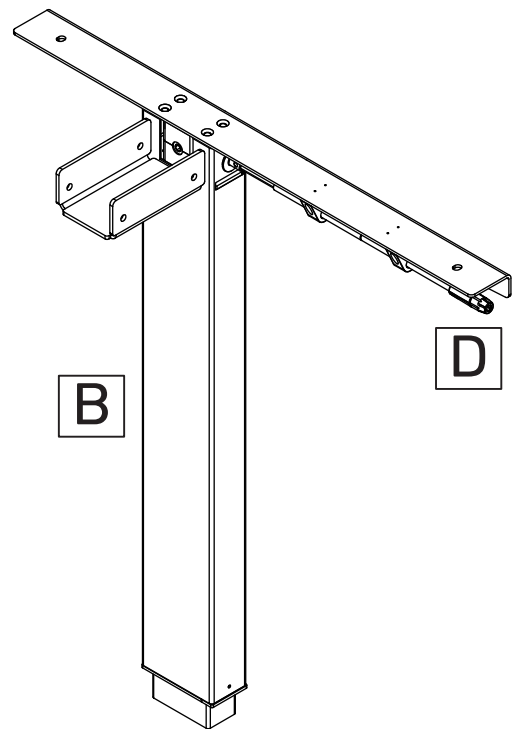
B




A

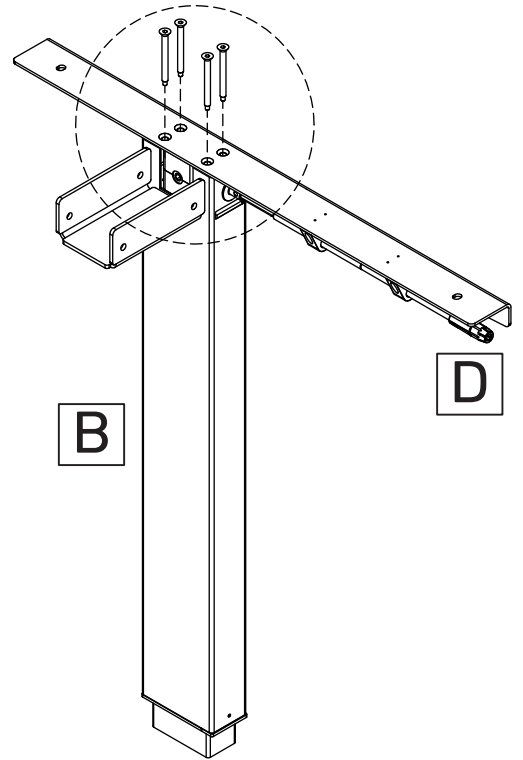
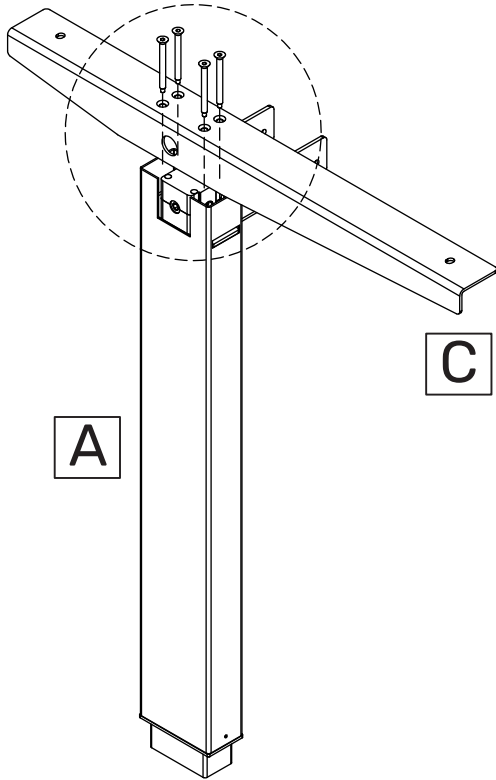
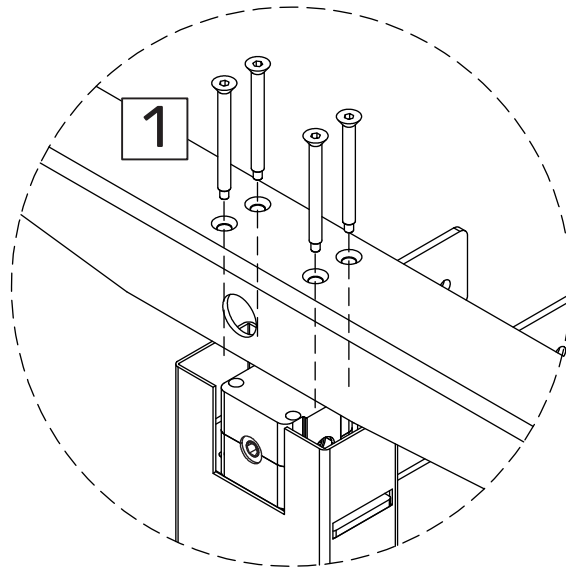


B

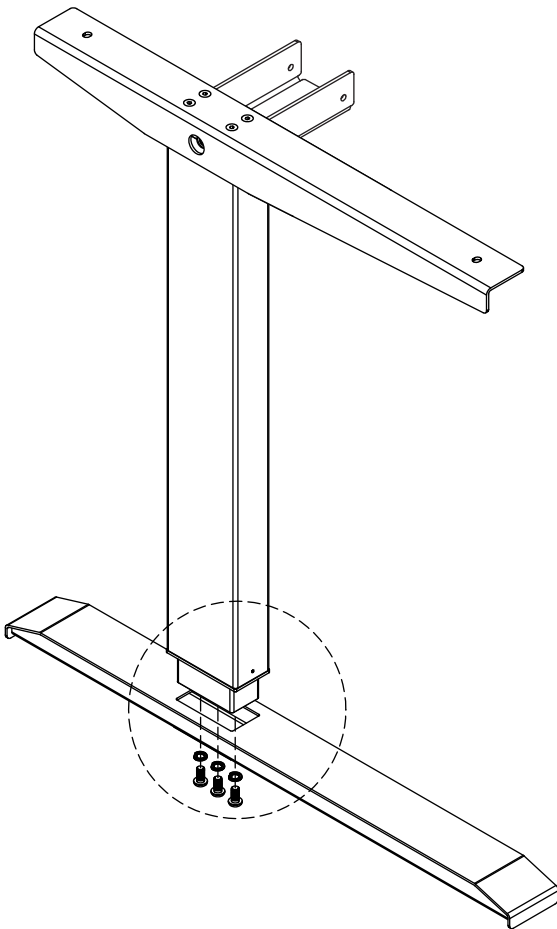
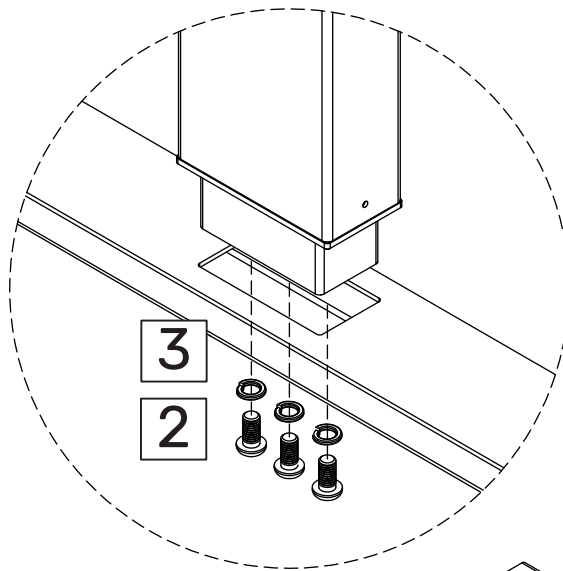


6	QTY: 1
M4-6	
	

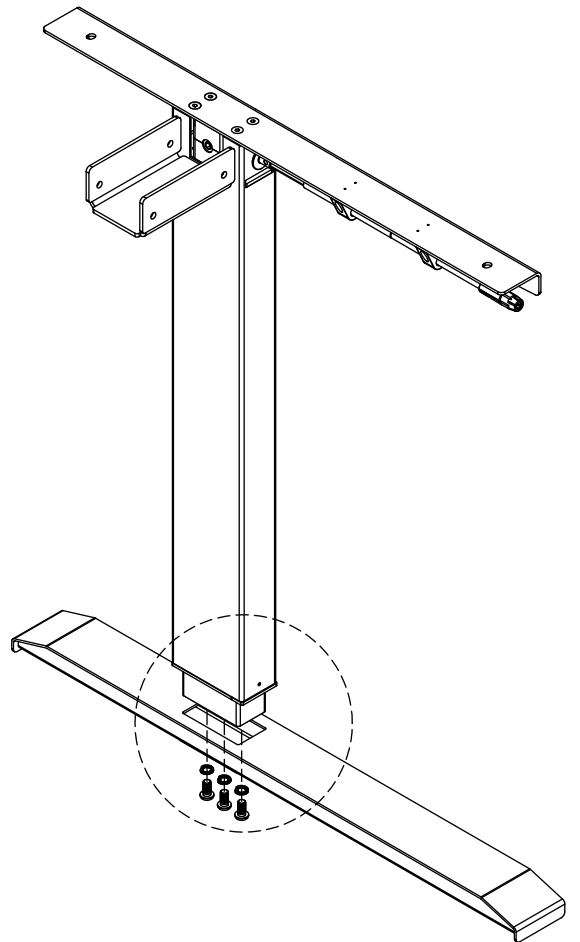
2



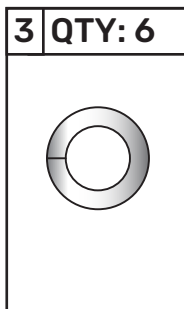
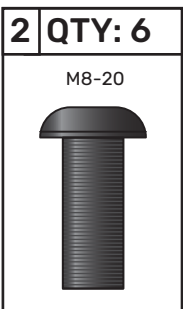
3



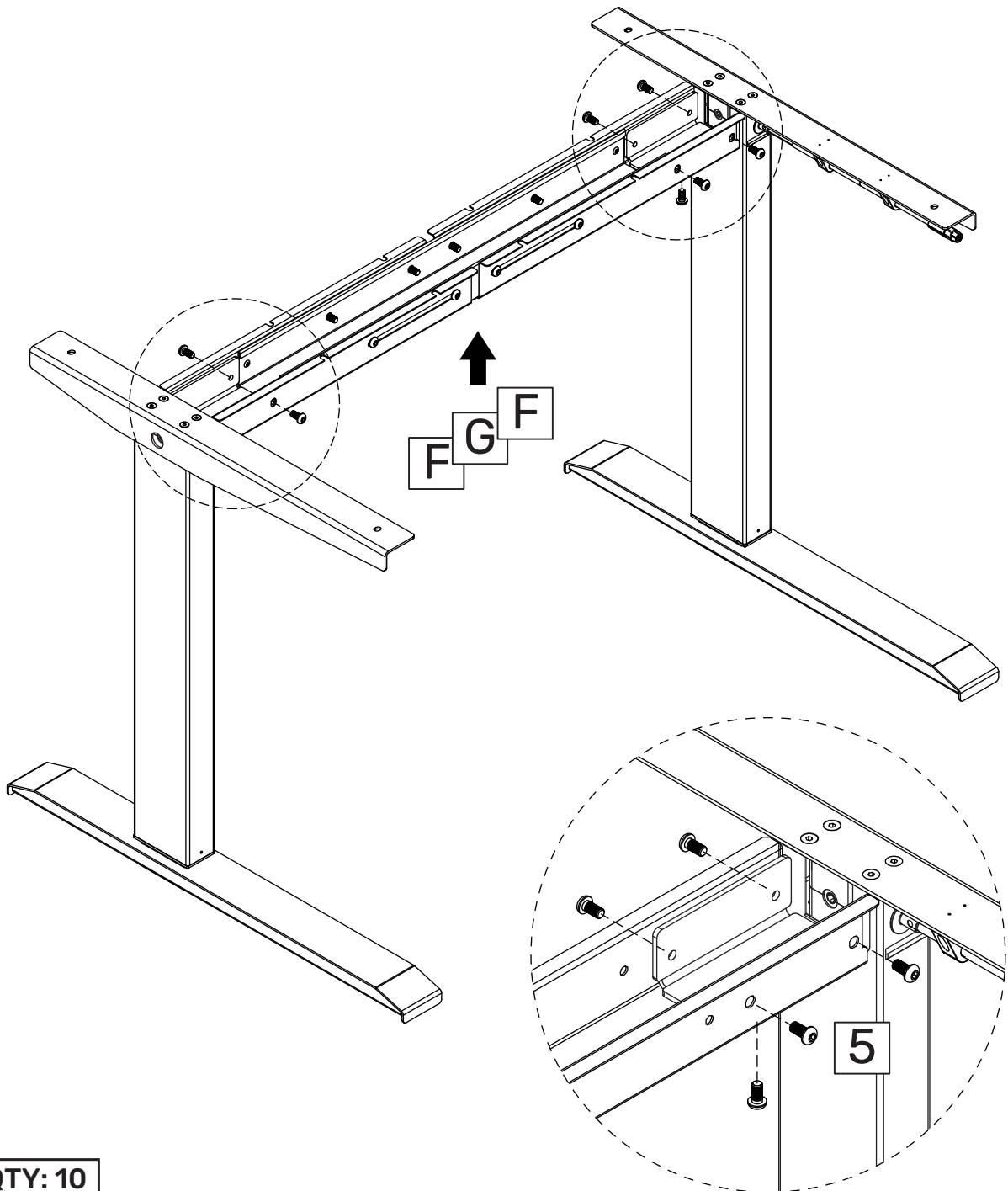
E



E

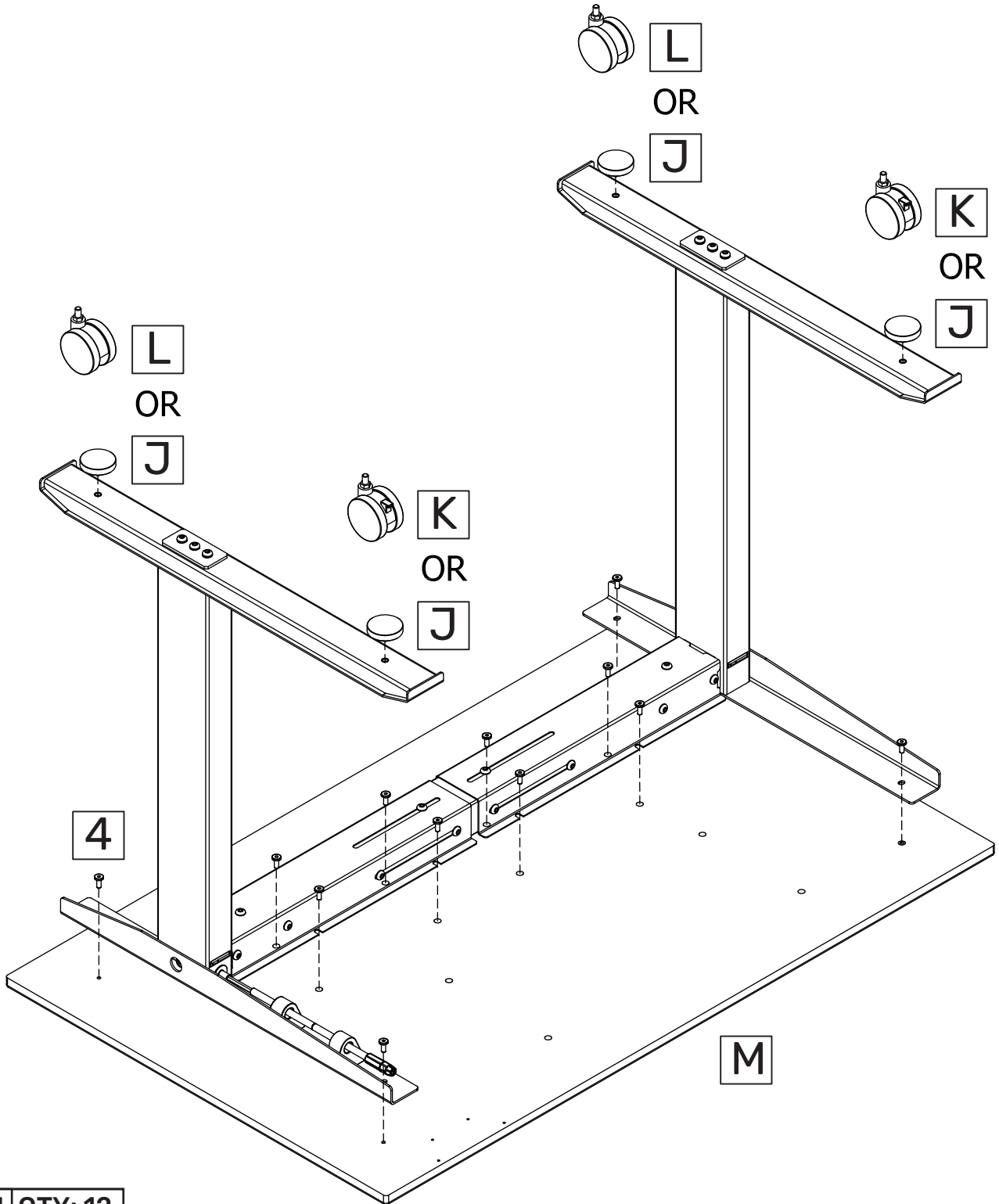


5



5	QTY: 10
M8-15	

7

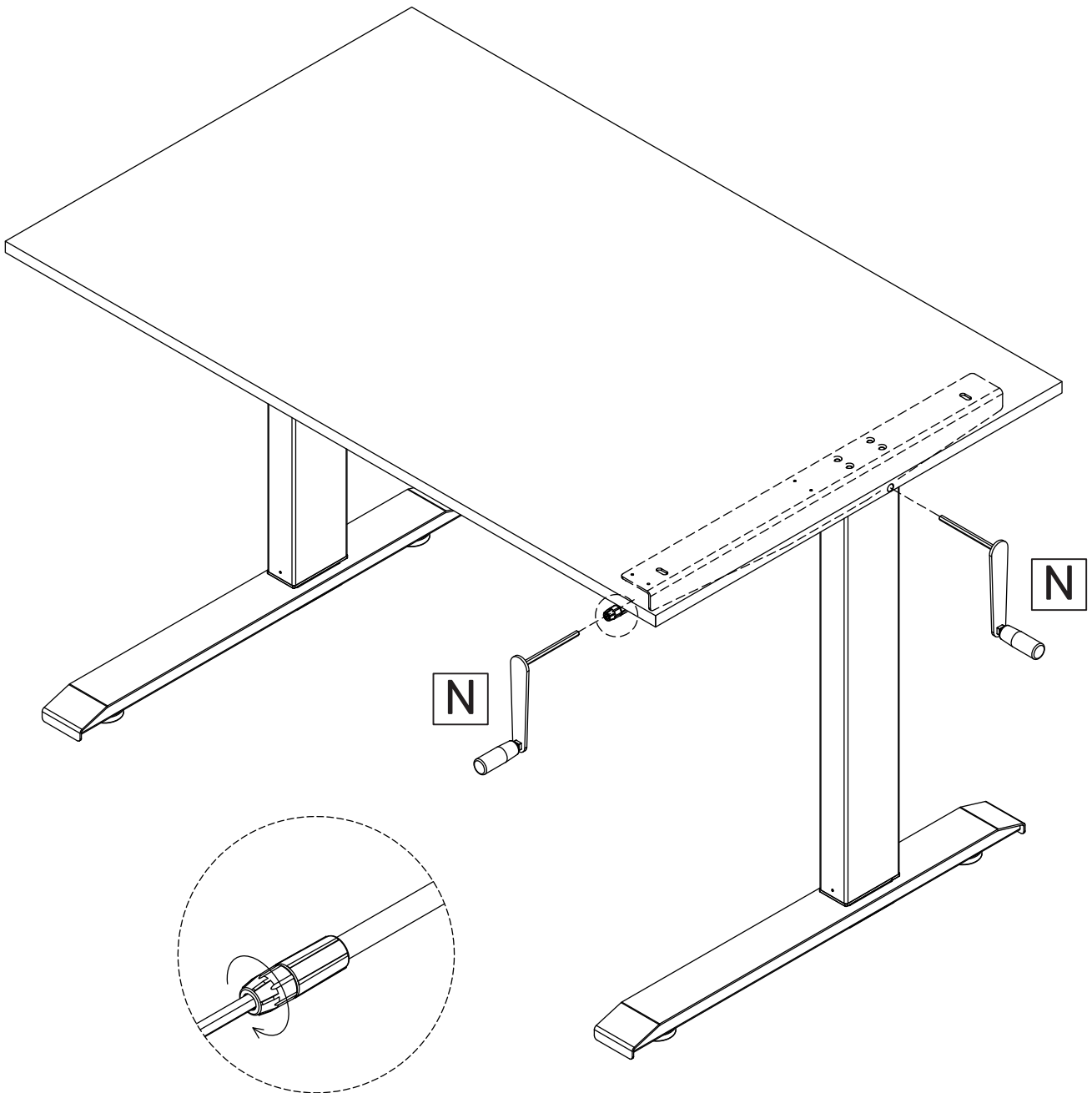


4	QTY: 12
M6-12	

8



Includes one crank. Second crank shown for visualization purposes only.



Additional Support

For additional support, please contact Luxor Customer Service.

Email: info@luxorworkspaces.com

Phone: 1-800-323-4656

Hours: 8:30 a.m. - 5:30 p.m. CT, Monday through Friday