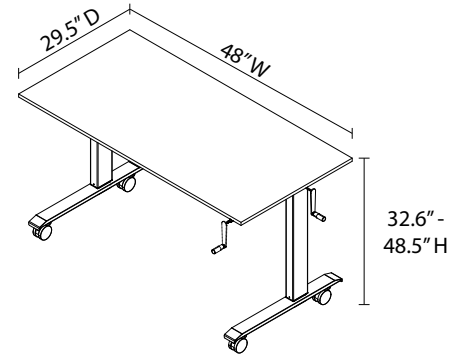


STANDCF48-BK/DW / STANDUP-CF48-DW

48" HIGH SPEED CRANK ADJUSTABLE STAND UP DESK

Product Specifications

Item Number	STANDCF48-BK/DW / STANDUP-CF48-DW
Desktop Color	Dark Walnut
Frame Color	Black or Silver
Table Material	Melamine with PDF/PVC edge film
Frame	Powder-coated steel
Crank Type/Mechanism	High speed crank
Crank Speed	1.2" per second (~33 cranks from low to high)
Crank Attachment Points	Left side, right side, front
Overall dimensions (with included casters)	47.25" W x 29.5" D x 32.5" to 48.5" H
Overall dimensions (with included furniture glides)	47.25" W x 29.5" D x 29.5" to 45.5" H
Desktop dimensions	47.25" W x 29.5" D x 5/8" H
Product Weight	85 lbs.
Weight Capacity	154 lbs.
Feet	Includes a set of 3" lockable casters and a set of screw-in furniture glides
Ship Method	UPS Box 1 = 48"W x 12"D x 5"H Box 2 = 53"W x 35"D x 3"H
Shipping Weight	Box 1 = 61 lbs. Box 2 = 34 lbs.
Certifications and Testing	Meets ANSI/BIFMA Standards
Assembly Required	Yes



NOTE: Desk includes one crank.
Second crank shown for visualization
of crank mounting points.